



ELECTRONIC

L O C K

- Electronic Lock
- Card Lock Hotel
- Accessories for Digital Lock



THE NEW MODERN LIFESTYLE

We have entered the digital era as a part of modern life. The use of IoT (Internet of Things) and AI (Artificial Intelligence) technologies applied to smart locks makes more safer, more controlled, and comfortable. Dekkson, as one of the leading architectural hardware brands in Indonesia, offers electronic locks with smart technology, modern design, and the best quality. There are two types of smart locks from Dekkson, electronic locks and hotel card locks.

The card lock is integrated with the hospitality system. Electronic locks can be easily installed and are suitable for homes and apartments. So, don't make the wrong choice; electronic locks from Dekkson are the best solution!
Welcome to the future!

Table of Contents :

ELP 9519 MF FIN PASS 3D	03	EL 9318 MF PASS BT R37	18
ELP 9419 MF FIN PASS DV	05	EL-D12	19
EL-D31	07	EL 9318 MF PASS BT W03	20
EL 9318 MF PASS BT W37	08	EL-D01	21
EL 9113 MF FIN PASS	09	EL 9318 MF PASS BT RF08	23
EL-D22	10	CLH 2002 MF	25
EL 9318 MF PASS BT A27	11	CLH 2001 MF	26
EL-D21	12	CLH 2202 MF	27
EL 9318 MF PASS BT W17	13	CLH 2201 MF	28
EL-T11	14	OTHER ACCESSORIES	29
SMART GLASS DOOR LOCK G-01	15	PROJECT REFERENCE	30
EL 9318 MF PASS BT R07	17		

DEKSON reserves the rights to change the design & technical specifications of the products or to make additions or improvements without any notification. If you must form a complete sets for engineering. Please contact the local distributor or our company to inquire about the accurate sizes, or measure according to the sizes of the object itself.



ELECTRONIC LOCK

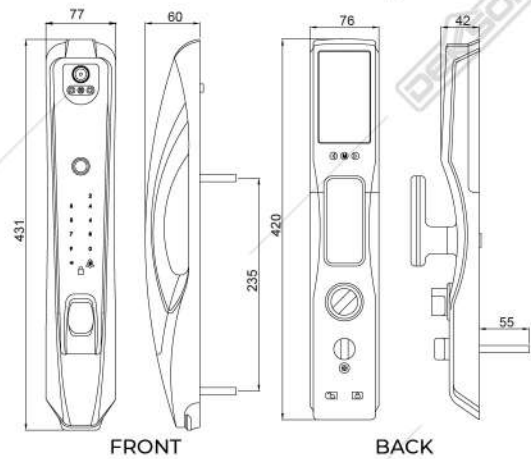
ELP 9519 MF FIN PASS 3D



Access

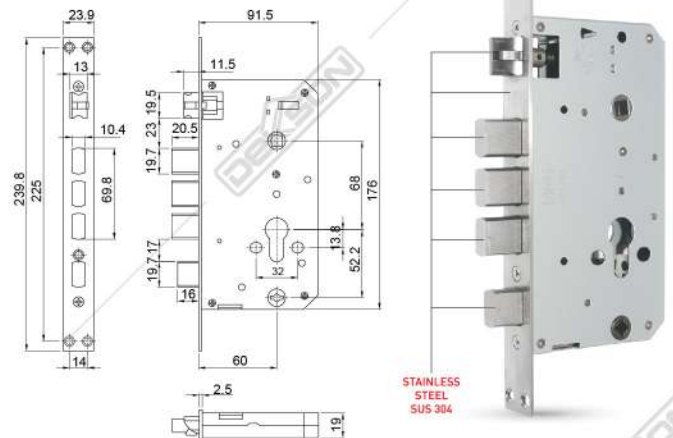
- 3D FACE RECOGNITION
- FINGERPRINT
- PASSWORD
- MIFARE
- MECHANICAL KEY
- MOBILE APP
DEON SMART LIVING (TUYA)
Available on:

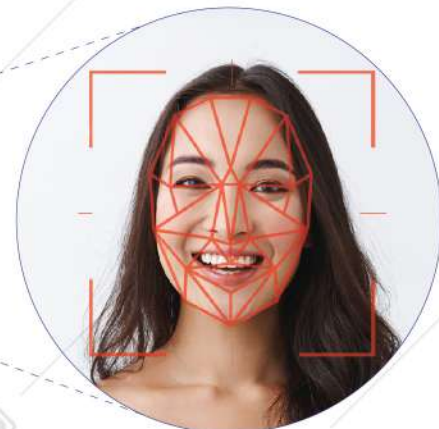
Specifications



Features

- Lithium Battery (Rechargeable)
- Low Power Warning (USB Type C backup power)
- Digital Door View
- Intercom
- Unlock History
- Doorbell
- Auto & Manual Locking System
- Anti Peeping Code





Deon Smart Living



ELECTRONIC LOCK

ELP 9419 MF FIN PASS DV

3 YEAR
MECHANICAL
WARRANTY



Access



FINGERPRINT



PASSWORD



MIFARE

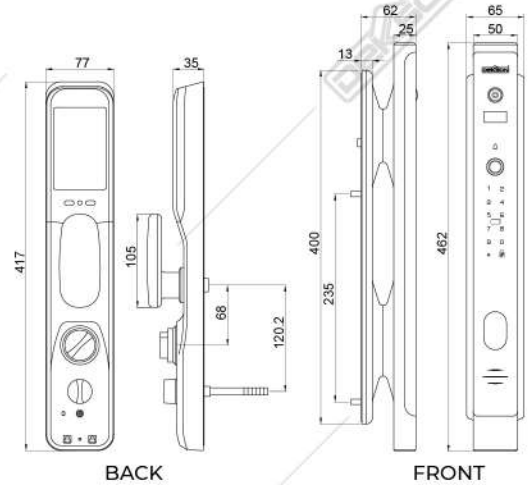


MECHANICAL KEY



MOBILE APP
DEON SMART
LIVING (TUYA)
Available on

Specifications



Features



Lithium Battery
(Rechargeable)



Low Power Warning
(Micro USB backup power)



Digital Door View



Anti Peeping Code



Unlock History



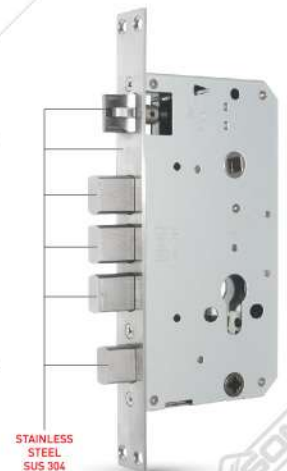
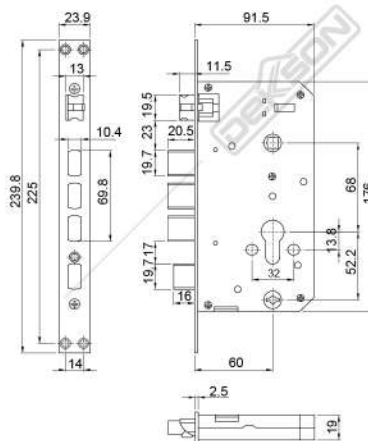
Doorbell



Auto & Manual Locking System



1 year
ELECTRICAL WARRANTY



STAINLESS
STEEL
SUS 304

Live Camera Display

Rubber Seal



Digital Door View

Display Screen

Doorbell

Fingerprint

Password

Mifare Card

Mechanical Key

Micro USB

Auto & Manual Locking System



Paris, France

London, UK



Deon Smart Living



ELECTRONIC LOCK

EL D-31



Access



FINGERPRINT



PASSWORD



MIFARE

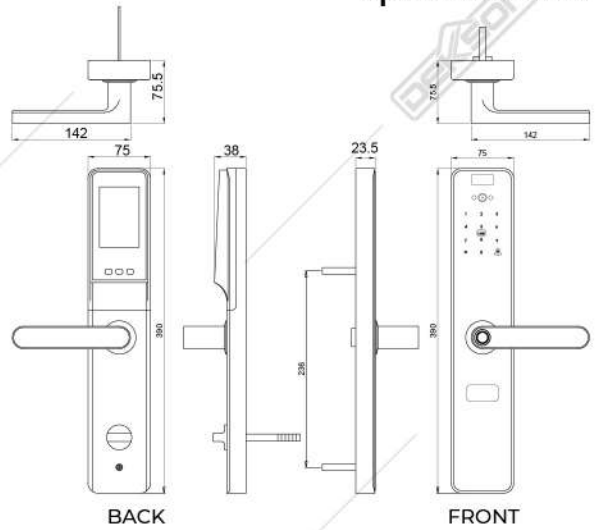


MECHANICAL KEY



MOBILE APP
DEON SMART
LIVING (TUYA)
Availability on:

Specifications



Features



Battery Power
AA Alkaline
8 pcs



Low Power
Warning
(USB Type C
backup power)



Digital Door
View



Anti Peeping
Code



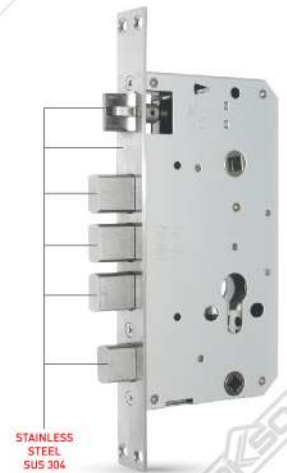
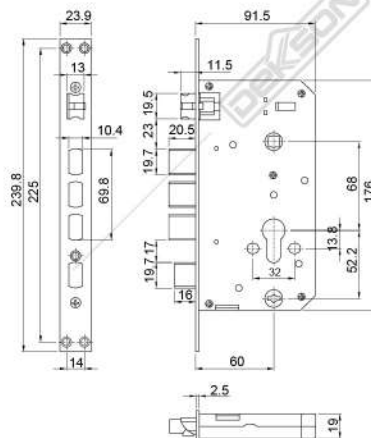
Unlock
History



Doorbell



1 year
ELECTRICAL
WARRANTY



3 YEAR MECHANICAL WARRANTY

DEKSON
QUALITY IS THE KEY

ELECTRONIC LOCK

ELC 9318
MF PASS BT

W37



Access



FINGERPRINT



PASSWORD



MIFARE



MECHANICAL KEY

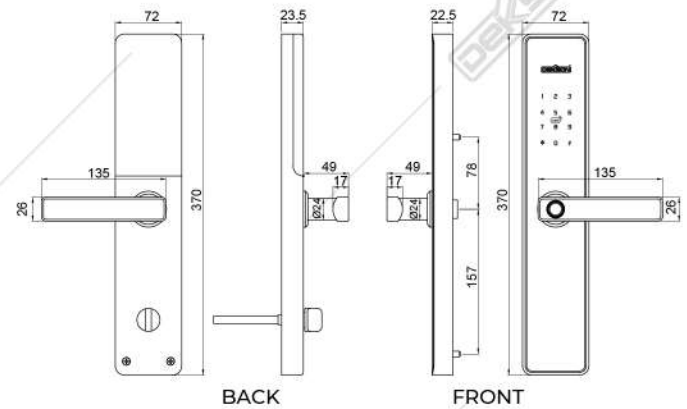


MOBILE APPS
(DEON/TUYA OR TTLock)

Available on:



Specifications



Features



Battery Power
AA Alkaline
4 pcs



Low Power
Warning
(Micro USB
backup power)



Turn up
handle
for lock



Anti Peeping
Code



Unlock
History



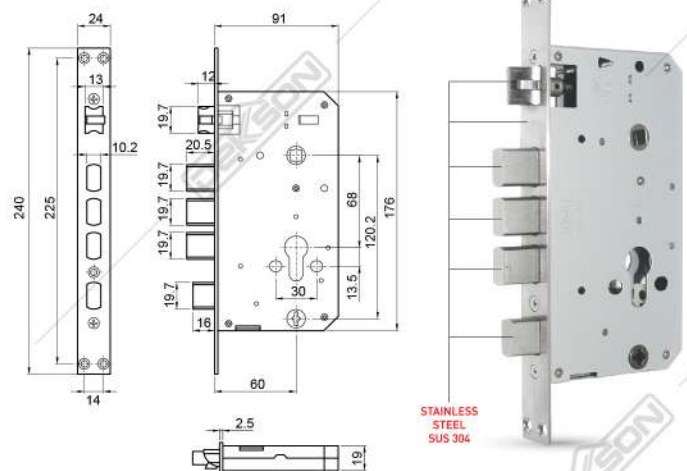
Access Sharing



Real Time
Notification
Records



1 year
ELECTRICAL
WARRANTY





ELECTRONIC LOCK

EL 9113 MF FIN PASS



3 YEAR
MECHANICAL
WARRANTY



Access



FINGERPRINT



PASSWORD



MIFARE



MECHANICAL KEY

Features



Battery Power
AA Alkaline
4/8 pcs



Low Power Warning
(Micro USB
backup power)



Turn up
handle
for lock



Anti Peeping
Code



Always Open



Voice Direction

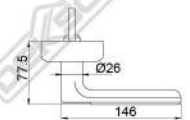
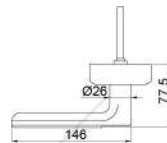


Doorbell

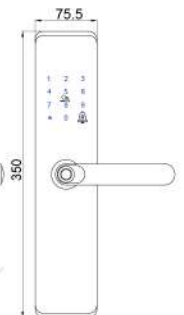
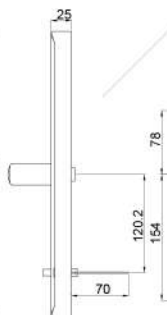


1 year
ELECTRICAL
WARRANTY

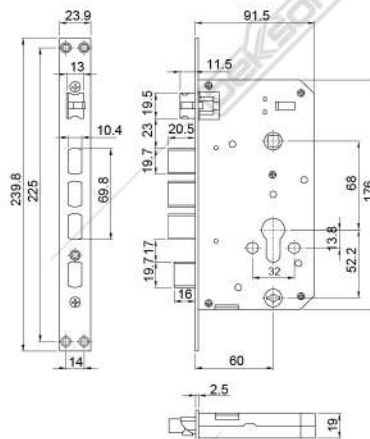
Specifications



BACK



FRONT



STAINLESS
STEEL
SUS 304

www.deksson.com

3 YEAR
MECHANICAL
WARRANTY

DEKSON[®]

ELECTRONIC LOCK

EL D-22



Available Color : Silver, Black

Access



FINGERPRINT



PASSWORD



MIFARE



MECHANICAL
KEY



MOBILE APP
DEON SMART
LIVING (TU YA)
Available on:



Features



Battery Power
AAA Alkaline
4 pcs



Low Power
Warning
(Micro USB
backup power)



Access Sharing



Anti Peeping
Code



Unlock
History

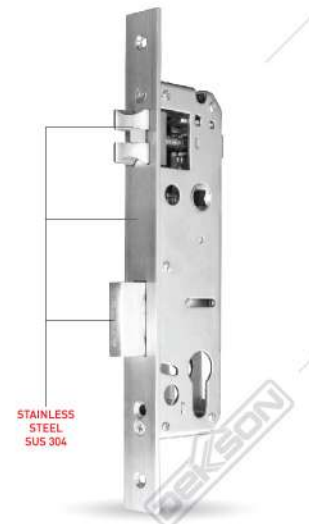
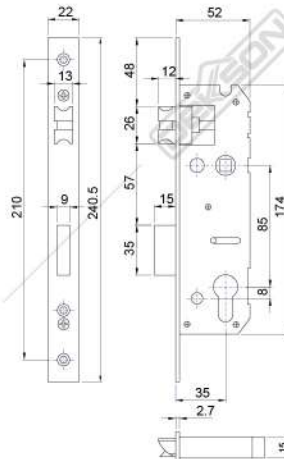
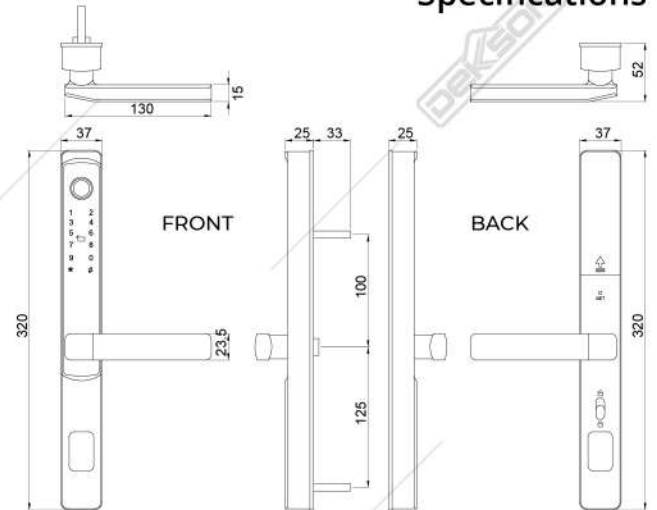


Turn Up Handle
for Lock



1 year
ELECTRICAL
WARRANTY

Specifications





ELECTRONIC LOCK

ELC 9318 MF PASS BT



Available color : Chrome Silver, Chrome Black
Material : Stainless Steel SUS 304

3 YEAR
MECHANICAL
WARRANTY



A27

Access



FINGERPRINT



PASSWORD



MIFARE

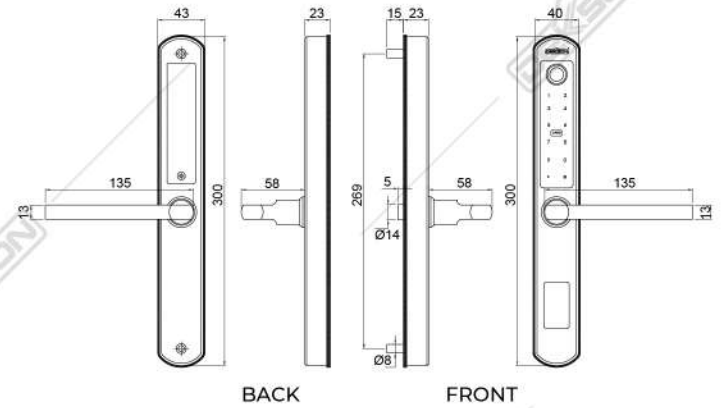


MECHANICAL
KEY



TTLock
Available on:

Specifications



Features



Battery Power
AAA Alkaline
4 pcs



Low Power Warning
(Micro USB
backup power)



Turn up
handle for
lock



Unlock
History



Real Time
Notification
Records



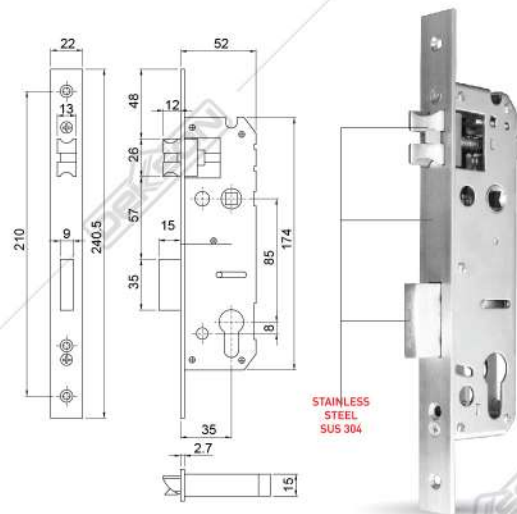
Access Sharing



Anti Peeping
Code



1 YEAR
ELECTRICAL
WARRANTY



3 YEAR
MECHANICAL
WARRANTY

DEKSON
QUALITY IS THE KEY



ELECTRONIC LOCK

EL D-21



Access



FINGERPRINT



PASSWORD



MIFARE



MECHANICAL
KEY



MOBILE APP
DEON (TUYA)
Available on:

Features



Battery Power
AA Alkaline
4 pcs



Low Power
Warning
(USB Type C
backup power)



Mobile Phone
Lock System



Anti Peeping
Code



Unlock
History



Access Sharing

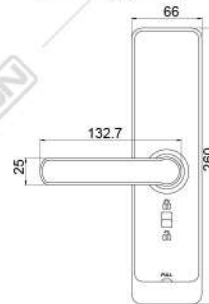
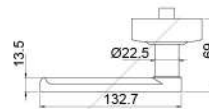


Turn up handle
for lock

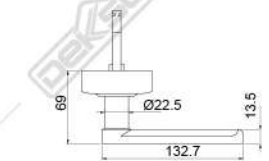
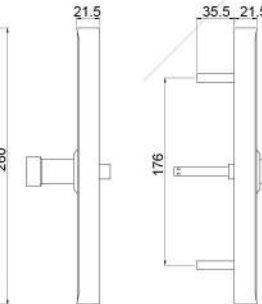


1 year
ELECTRICAL
WARRANTY

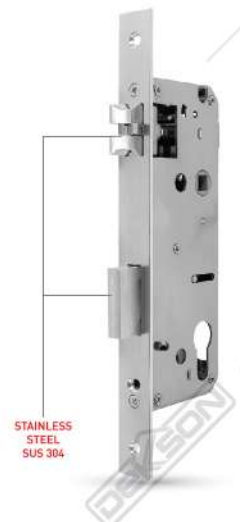
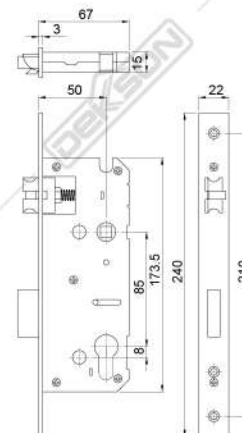
Specifications



BACK



FRONT



STAINLESS
STEEL
SUS 304



ELECTRONIC LOCK

ELC 9318 MF PASS BT



W17

Access



FINGERPRINT



PASSWORD



MIFARE



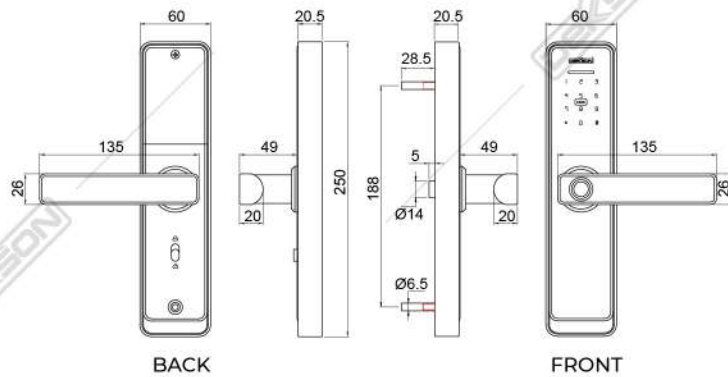
MECHANICAL KEY



MOBILE APPS
(DEON/TUYA
OR TTLock)



Specifications



Features



Battery Power
AAA Alkaline
4 pcs



Low Power Warning
(Micro USB
backup power)



Turn up handle
for lock



Unlock
History



Real Time
Notification
Records



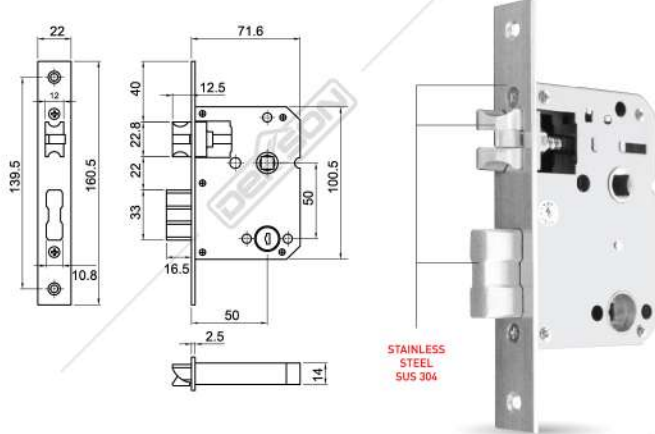
Access Sharing



Anti Peeping
Code



1 year
ELECTRICAL
WARRANTY



3 YEAR
MECHANICAL
WARRANTY

DEKSON

ELECTRONIC LOCK

ED T-11



Access



FINGERPRINT



PASSWORD



MIFARE



MECHANICAL
KEY



TTLock
Available on:

Features



Battery Power
AA Alkaline
4 pcs



Low Power Warning
(Micro USB
backup power)



Anti Peeping
Code



Unlock
History



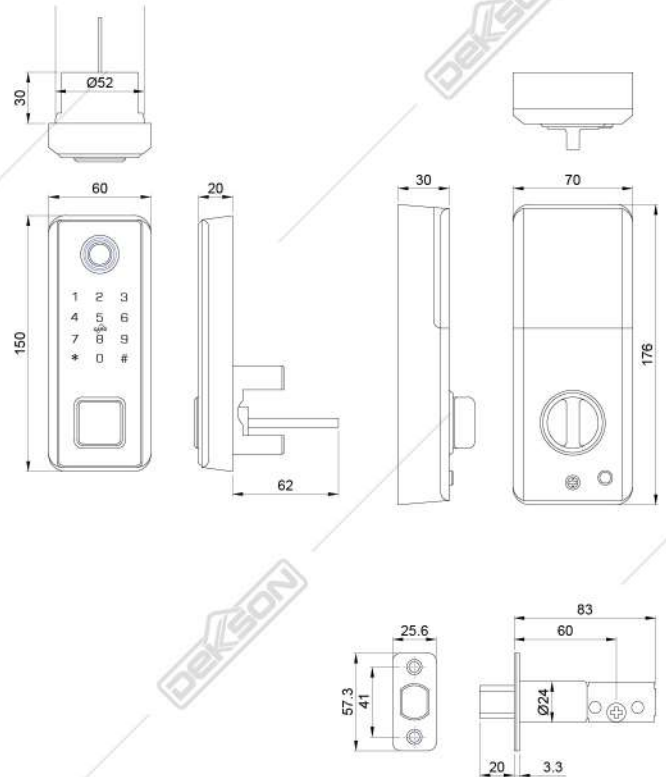
Auto & Manual
Locking System



Access Sharing



1 year
ELECTRICAL
WARRANTY



Specifications

SMART GLASS DOOR LOCK

G01



Access



FINGERPRINT



PASSWORD



MIFARE



MECHANICAL KEY



MOBILE APP
DEON (TU YA)
Available on
Android & iOS



REMOTE CONTROL

Features



Battery Power
AA Alkaline
4 pcs



Door Bell



Anti Peeping Code



Voice Direction



Auto & Manual Locking System

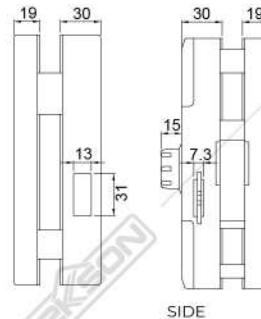
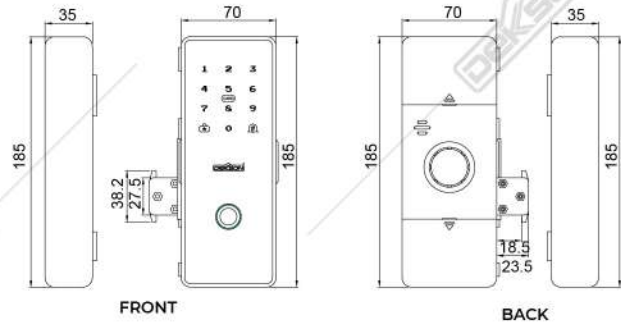


Low Power Warning
(Micro USB backup power)



1 year
ELECTRICAL WARRANTY

Specifications



CONVENIENCE AT YOUR HAND

Unlock from up to 10 meters using remote control (Sold Separately)



SUITABLE for :



ALUMINIUM DOOR

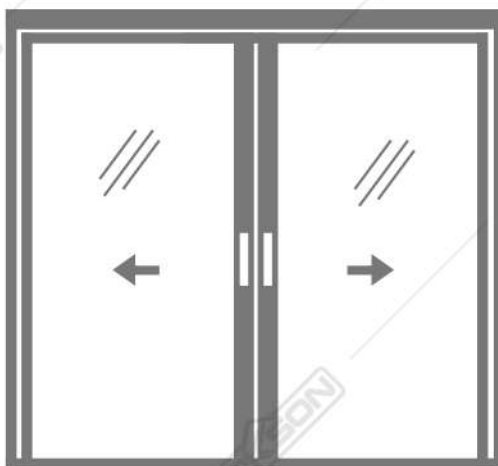


WOODEN DOOR

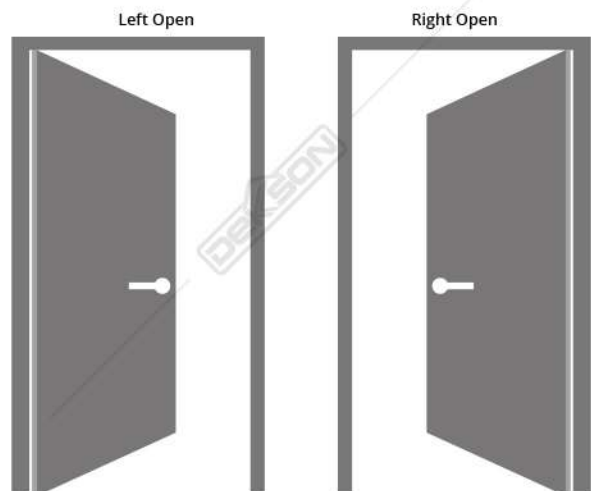


GLASS DOOR

DOOR SYSTEM :



Sliding Door



Swing Door



ELECTRONIC LOCK

ELC 9318 MF PASS BT



Stainless Steel SUS 304



R07

Access



FINGERPRINT



PASSWORD



MIFARE



MECHANICAL KEY

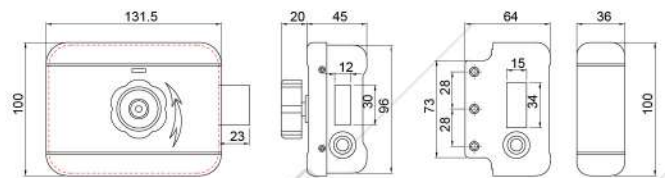


TTLock
Available on:

Specifications



FRONT



BACK

Features



Battery Power
AA Alkaline
4 pcs



Low Power
Warning
(Micro USB
backup power)



Access Sharing



Anti Peeping
Code



Unlock
History



Real Time
Notification
Records



1 year
ELECTRICAL
WARRANTY

3 YEAR
MECHANICAL
WARRANTY



ELECTRONIC LOCK

ELC 9318
MF PASS BT



Available color : Silver, Black

R37

Access



FINGERPRINT



PASSWORD



MIFARE

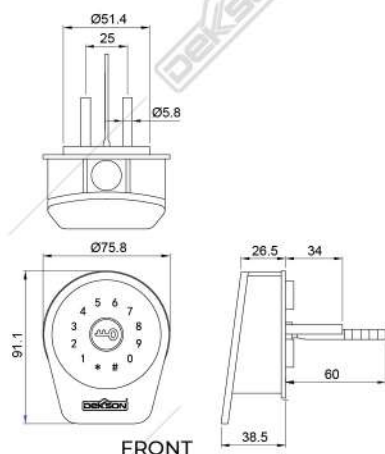


MECHANICAL KEY



TTLock
Available on
Android

Specifications



FRONT

Features



Battery Power
AA Alkaline
4 pcs



Low Power
Warning
(Micro USB
backup power)



Access Sharing



Anti Peeping
Code



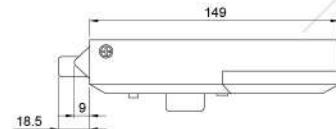
Unlock
History



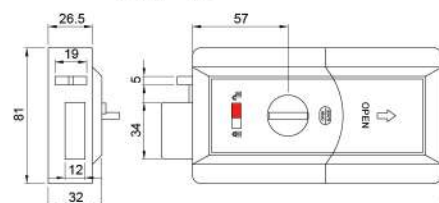
Real Time
Notification
Records



1 year
ELECTRICAL
WARRANTY



BACK



ELECTRONIC LOCK

EL D-12



Available Color : Silver, Black



Access



FINGERPRINT



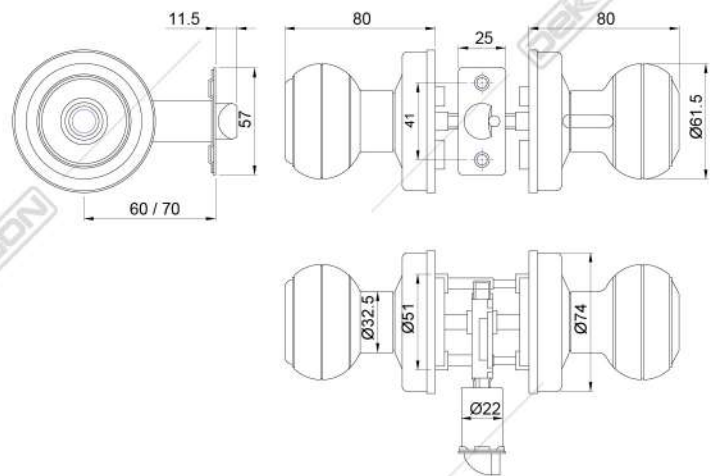
MECHANICAL KEY



MOBILE APPS
(DEON/TUYA
OR TLock)
Available on:



Specifications



Features



Battery Power
AAA Alkaline
4 pcs



Low Power
Warning
(USB Type C
backup power)



Unlock
History



1 year
ELECTRICAL
WARRANTY



3 YEAR
MECHANICAL
WARRANTY

DEKSON
QUALITY IS THE KEY

ELECTRONIC LOCK

ELC 9318
MF PASS BT



W03

Access



FINGERPRINT



PASSWORD



MECHANICAL KEY



TTLock
Available on:

Features



Battery Power
AAA Alkaline
4 pcs



Low Power Warning
(Micro USB
backup power)



Turn up
handle for
lock



Unlock
History



Real Time
Notification
Records



Access Sharing

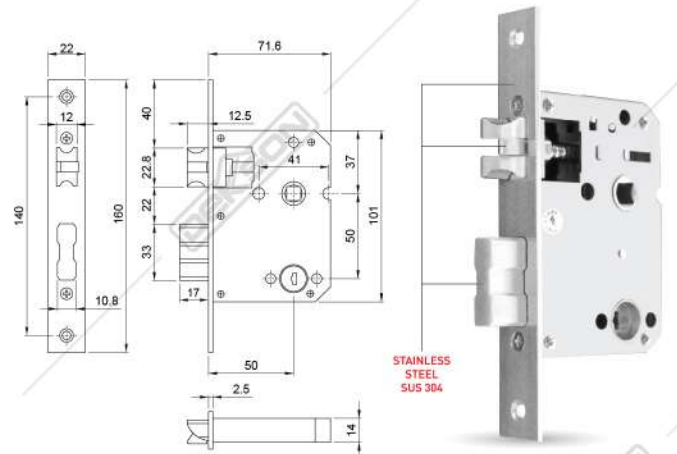
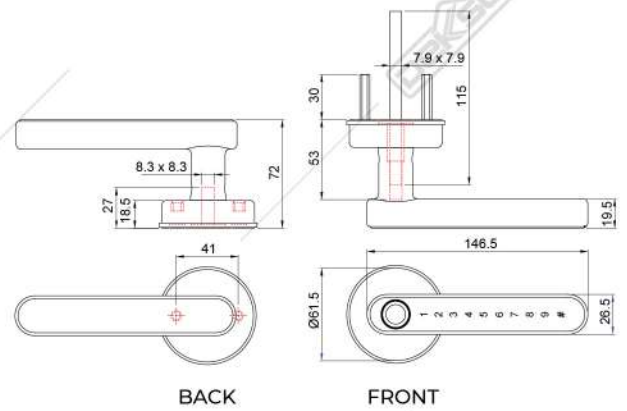


Anti Peeping
Code



1 year
ELECTRICAL
WARRANTY

Specifications



ELECTRONIC LOCK

EC-D01



Available : 70mm & 80mm
Available Color : Black & Silver



Access



FINGERPRINT



MIFARE



MECHANICAL KEY



MOBILE APP
DEON (TUYA)
Available on:
Android, iOS

Features



Battery Power
cr123a



Low Power
Warning (USB Type C
backup power)



Turn Up Knob
For Lock



Unlock
History

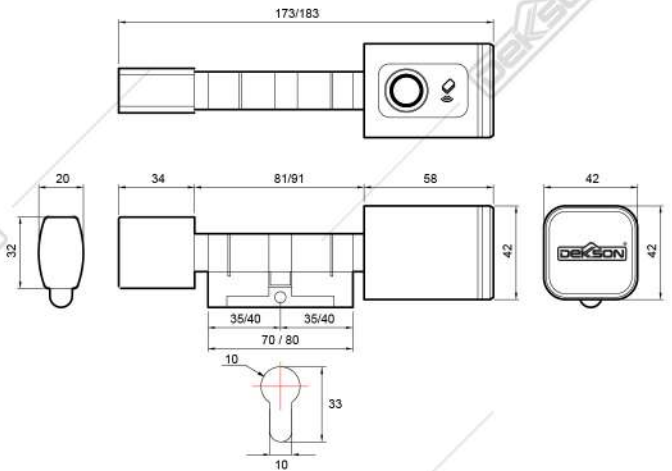


Access Sharing

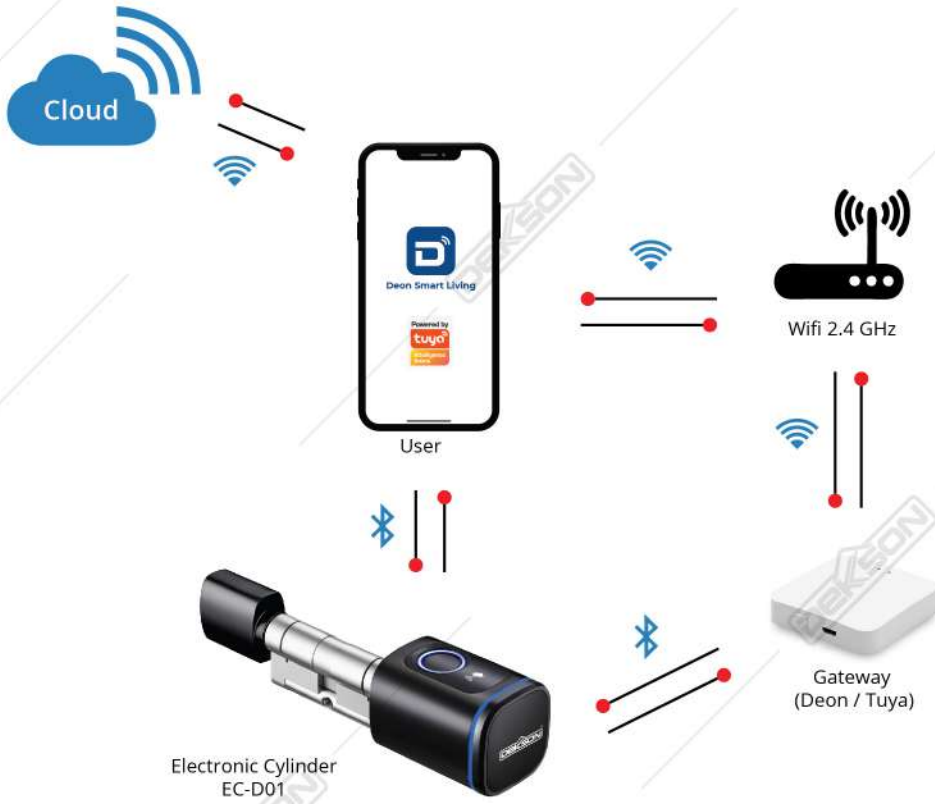


1 year
ELECTRICAL
WARRANTY

Specifications



ACCESS CONTROL EC-D01



ELECTRONIC LOCK

ELC 9318 MF PASS BT



RF08

Access



FINGERPRINT



PASSWORD



MIFARE



TTLock
Available on:
Android, iOS

Features



Power Input
12v DC



Door Bell



Access Sharing



Anti Peeping
Code



Unlock
History

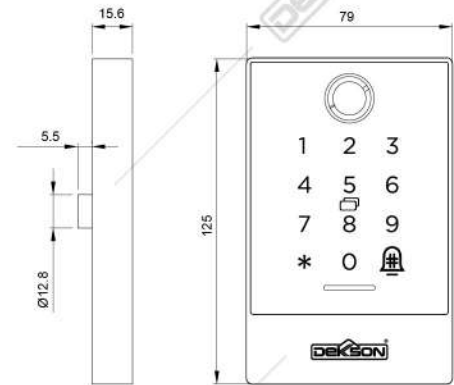


Real Time
Notification
Records



1 year
ELECTRICAL
WARRANTY

Specifications



ACCESSORIES



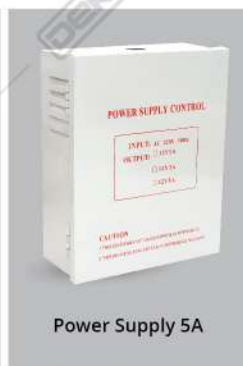
Push Exit Button



Magnetic Lock or Drop Bolt



Door Bell

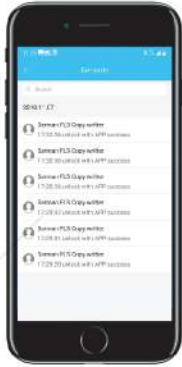


Power Supply 5A



Gateway
WiFi - TTLock

FEATURES



Data Record



Send e-Key



ACCESS SHARING (Password & e-Key)

- **Generate Passcode**
Generate unique password for guest.
- **Send e-Key**
Share mobile app access directly to guest's smartphone.



DATA RECORD

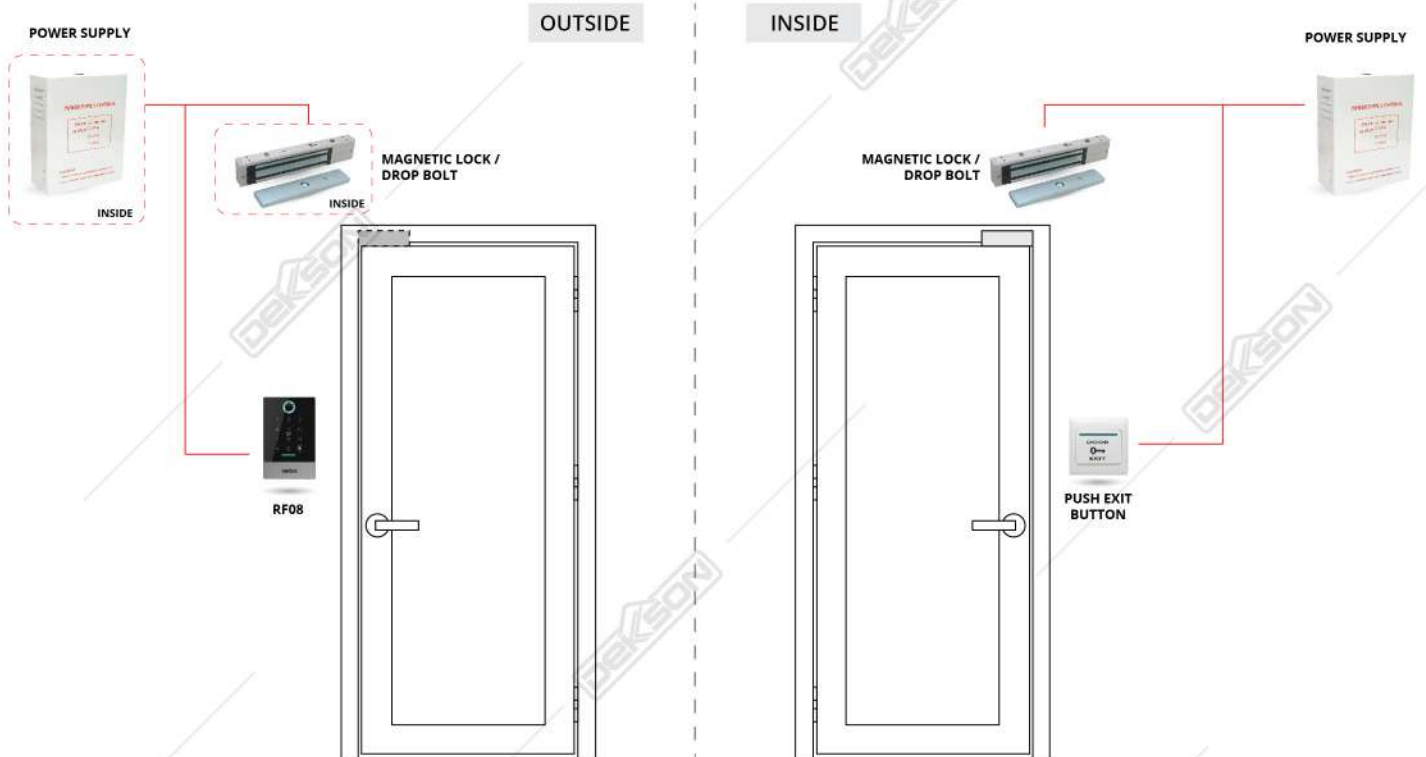
Access Record
All access is recorded by the apps.



REMOTE ACCESS

- Open lock through smartphone from anywhere on earth.
- Lock setting can be managed remotely, without the need to even touch the lock.

ACCESS CONTROL SYSTEM



SUITABLE FOR :



Aluminium / Glass Door



Steel Door



Wooden Door

CARD LOCK HOTEL

CLH 2002 MF



Accessories



ENCORDER READ / WRITE 2200 MF
State of the art auto-card detection technology. Ideal for use with multiple stations



AUTHORIZED CARD
Keycards registered to DEKSON software for Cardlock Hotel setup



CONTACTLESS CARD 2001 / 2201 MF
Durable contact-free Philips Mifare Technology. Also available as plastic key fob, wristwatch or epoxy sticker



RECORD / INFORMATION CARD 2001 / 2201 MF
Upload and download both lock and computer information data easily



CARD READER ACCESS CONTROL 2001 / 2200 MF
Limit the access right of users and increase the security level. Door access can be operated with one card



SOFTWARE
Easy to install. Compatible with Windows 2000 / 2003 / XP Pro / 7 / Vista / 8 / 10

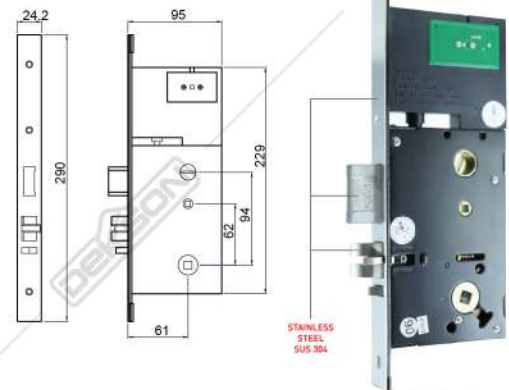
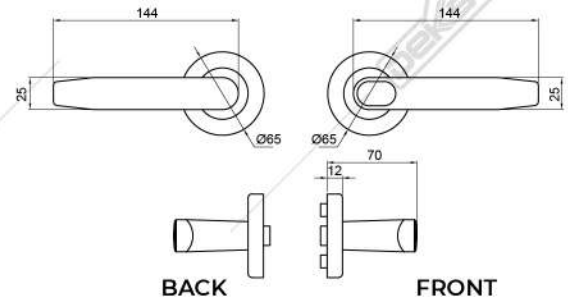


ES SWITCH 2001 / 2201 MF
ES SWITCH 2001 / 2201 MF CORRECT ROOM
Energy saving switch all mifare. Compatible for CLH 2000 MF, 2200 MF & 2202 MF



ELEVATOR READER 2001 / 2201 MF (FOR 16 FLOORS)
Mini external reader is available to support lift panel. Allow access card (mifare) to double as elevator access. Same management software with hotel lock. Allow up to 2000 entries record. [Available: For 32, 48, 64 FLOORS]

Specifications



STAINLESS STEEL SUS 304



1 year
ELECTRICAL
WARRANTY

3 YEAR
MECHANICAL
WARRANTY

DEKSON
QUALITY IS THE KEY

CARD LOCK HOTEL

CLH 2001 MF



Material : Stainless Steel SUS 304

Accessories



ENCORDER MF CARD READ WRITE PRO 2201/2001 MF
State of the art auto-card detection technology. Ideal for use with multiple stations



AUTHORIZED CARD
Keycards registered to DEKSSON software for Cardlock Hotel setup



CONTACTLESS CARD 2001 / 2201 MF
Durable contact-free Philips Mifare Technology. Also available as plastic key fob, wristwatch or epoxy sticker



RECORD / INFORMATION CARD 2001 / 2201 MF
Upload and download both lock and computer information data easily



CARD READER ACCESS CONTROL 2001 / 2200 MF
Limit the access right of users and increase the security level. Door access can be operated with one card



SOFTWARE
Easy to install. Compatible with Windows 2000 / 2003 / XP Pro / 7 / Vista / 8 / 10



ES SWITCH 2001 / 2201 MF
Energy saving switch all mifare. Compatible for CLH 2000 MF, 2200 MF & 2202 MF

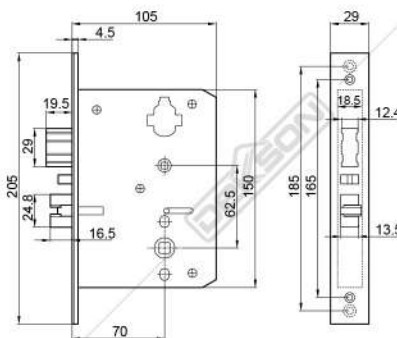
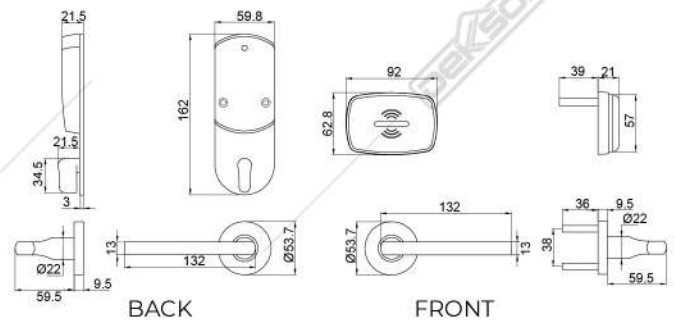


ES SWITCH 2001 / 2201 MF CORRECT ROOM



ELEVATOR READER 2001 / 2201 MF (FOR 16 FLOORS)
Mini external reader is available to support lift panel. Allow access card (mifare) to double as elevator access. Same management software with hotel lock. Allow up to 2000 entries record. (Available: For 32, 48, 64 FLOORS)

Specifications



STAINLESS
STEEL
SUS 304

1 YEAR
ELECTRICAL
WARRANTY

CARD LOCK HOTEL

CLH 2202 MF



Accessories



ENCODER READ / WRITE 2200 MF
State of the art auto-card detection technology. Ideal for use with multiple stations



AUTHORIZED CARD
Keycards registered to DEKSON software for Cardlock Hotel setup



CONTACTLESS CARD 2001 / 2201 MF
Durable contact-free Philips Mifare Technology. Also available as plastic key fob, wristwatch or epoxy sticker



RECORD / INFORMATION CARD 2001 / 2201 MF
Upload and download both lock and computer information data easily



CARD READER ACCESS CONTROL 2001 / 2200 MF
Limit the access right of users and increase the security level. Door access can be operated with one card



SOFTWARE
Easy to install. Compatible with Windows 2000 / 2003 / XP Pro / 7 / Vista / 8 / 10



ES SWITCH 2001 / 2201 MF

Energy saving switch all mifare. Compatible for CLH 2000 MF, 2200 MF & 2202 MF

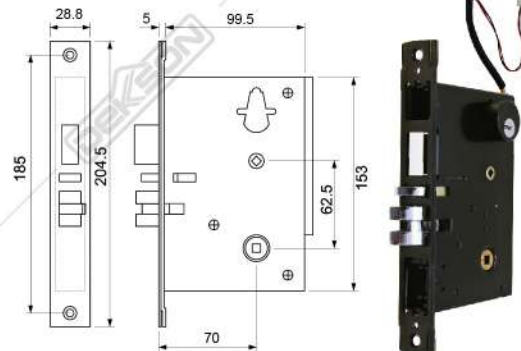
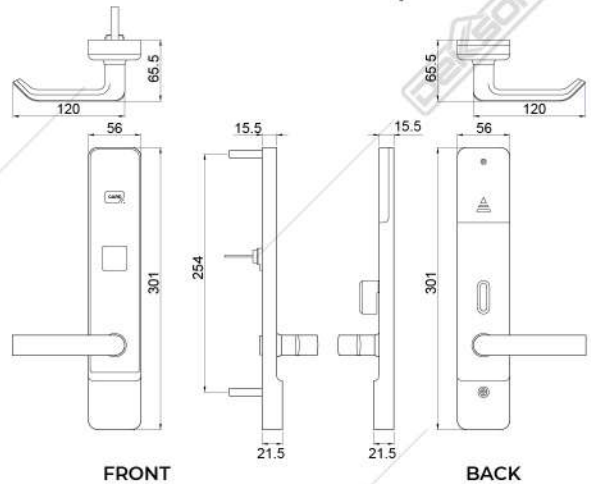


ES SWITCH 2001 / 2201 MF CORRECT ROOM



ELEVATOR READER 2001 / 2201 MF (FOR 16 FLOORS)
Mini external reader is available to support lift panel. Allow access card (mifare) to double as elevator access. Same management software with hotel lock. Allow up to 2000 entries record. (Available: For 32, 48, 64 FLOORS)

Specifications



STAINLESS STEEL SUS 304



1 year
ELECTRICAL
WARRANTY

3 YEAR
MECHANICAL
WARRANTY

DEKSON
QUALITY IS THE KEY

CARD LOCK HOTEL

CLH 2201 MF



STAINLESS STEEL SUS 304

Accessories



ENCORDER MF CARD READ WRITE PRO 2201/2001 MF
State of the art auto-card detection technology. Ideal for use with multiple stations



AUTHORIZED CARD
Keycards registered to DEKSON software for Cardlock Hotel setup



CONTACTLESS CARD 2001 / 2201 MF
Durable contact-free Philips Mifare Technology. Also available as plastic key fob, wristwatch or epoxy sticker



RECORD / INFORMATION CARD 2001 / 2201 MF
Upload and download both lock and computer information data easily



CARD READER ACCESS CONTROL 2001 / 2200 MF
Limit the access right of users and increase the security level. Door access can be operated with one card



SOFTWARE
Easy to install. Compatible with Windows 2000 / 2003 / XP Pro / 7 / Vista / 8 / 10

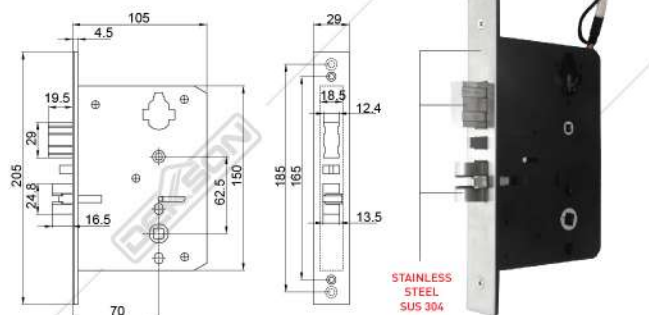
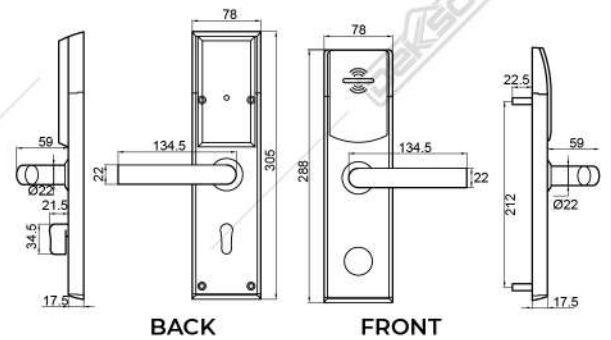


ES SWITCH 2001 / 2201 MF
Energy saving switch all mifare. Compatible for CLH 2000 MF, 2200 MF & 2202 MF



ELEVATOR READER 2001 / 2201 MF (FOR 16 FLOORS)
Mini external reader is available to support lift panel. Allow access card (mifare) to double as elevator access. Same management software with hotel lock. Allow up to 2000 entries record. (Available: For 32, 48, 64 FLOORS)

Specifications



1 year
ELECTRICAL
WARRANTY

OTHER ACCESSORIES



ES SWITCH 808 NEW
For all card type.
RFID / NON RFID



ES SWITCH 809 NEW
For all proximity card.
RFID 125 KHZ



ES SWITCH 2201 / 2001 MF
For all mifare card 13,56 MHz



ES SWITCH 2201 / 2001 MF CORRECT ROOM
For all mifare card 13,56 MHz
Available color : White



OPEN DOOR SWITCH



POWER SUPPLY DC 12V 3A NO/NC



DB 3 IN 1
Door Bell Switch
with "Don't Disturb & Make Up Room"



POWER SUPPLY 5A

CABINET LOCK



Electronic Cabinet Lock ECL 808 MF CP



CONTACTLESS CARD MF



Electronic Cabinet Lock ECL 838 MF CP



CONTACTLESS CARD MF



WRISTBAND MF (Optional)

SAFETY BOX SB 420



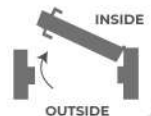
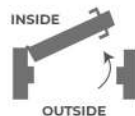
DIMENSION :
420 (L)x 190 (H) x 300 (W)

- FEATURES :**
- LED Display
 - Full Automatic
 - Hidden Password Function
 - Three ways to open :
 - 1) User password (3-6 digits)
 - 2) Hotel Master Password
 - 3) Unlock via Key

ELECTRONIC LOCK DOOR SWING DIRECTION

LEFT DOOR

RIGHT DOOR



PROJECT REFERENCES



HOTEL ASTON, BATAM



CLUSTER MOZART - SYMPHONIA SUMMARECON SERPONG



QUBIKA BOUTIQUE HOTEL - BSD TANGERANG



ASYA - ASTRA MODERN LAND - JAKARTA GARDEN CITY



HOTEL YELLO, JAKARTA



CLUSTER FLORA - SUMMARECON BANDUNG

and many other project references



AVAILABLE AT :

