



ELECTRONIC

**LOCK**

● Electronic Lock ● Card Lock Hotel ● Accessories for Electronic Lock



# THE NEW MODERN LIFESTYLE

We have entered the digital era as a part of modern life. The use of IoT (Internet of Things) and AI (Artificial Intelligence) technologies applied to smart locks makes more safer, more controlled, and comfortable. Dekkson, as one of the leading architectural hardware brands in Indonesia, offers electronic locks with smart technology, modern design, and the best quality. There are two types of smart locks from Dekkson, electronic locks and hotel card locks.

The card lock is integrated with the hospitality system. Electronic locks can be easily installed and are suitable for homes and apartments. So, don't make the wrong choice; electronic locks from Dekkson are the best solution!

Welcome to the future!

# Table of Contents :

ELP 9519 MF FIN PASS 3D	03	ET-D12	17
ELP 9419 MF FIN PASS DV	05	EL 9318 MF PASS BT W03	18
EL-D31	07	EL-D01	19
EL 9318 MF PASS BT W37	08	SMART GLASS DOOR LOCK G-01	21
EL 9113 MF FIN PASS	09	EL 9318 MF PASS BT RF09	22
EL-D22	10	EL 9318 MF PASS BT RF08	23
EL 9318 MF PASS BT A27	11	CLH 2002 MF	25
EL-D21	12	CLH 2001 MF	26
EL 9318 MF PASS BT W17	13	CLH 2202 MF	27
EL-T11	14	CLH 2201 MF	28
EL 9318 MF PASS BT R07	15	OTHER ACCESSORIES	29
EL 9318 MF PASS BT R37	16	PROJECT REFERENCE	30

DEKSON reserves the rights to change the design & technical specifications of the products or to make additions or improvements without any notification. If you must form a complete sets for engineering. Please contact the local distributor or our company to inquire about the accurate sizes, or measure according to the sizes of the object itself.



# ELECTRONIC LOCK

## ELP 9519 MF FIN PASS 3D

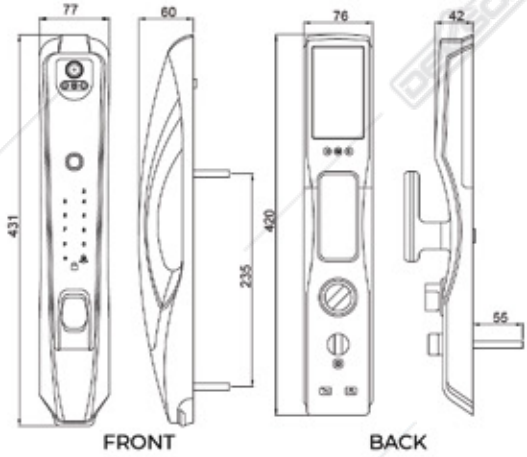
**3** Year  
MECHANICAL  
WARRANTY



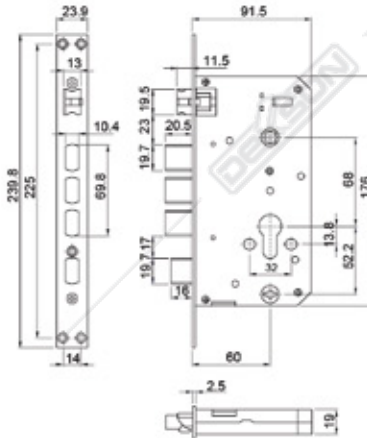
### Access



### Specifications



### Features





**Real Time Voice Intercom**  
"Two ways Voice Talk"



Deon Smart Living



# ELECTRONIC LOCK

## ELP 9419 MF FIN PASS DV

3 YEAR  
MECHANICAL  
WARRANTY



### Access



FINGERPRINT



PASSWORD



MIFARE



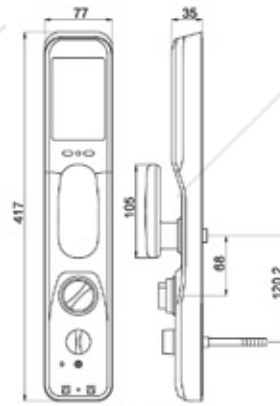
MECHANICAL  
KEY



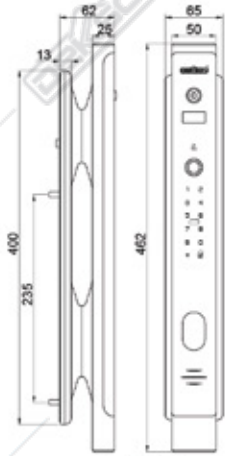
MOBILE APP  
DEON SMART  
LIVING (TUVA)



### Specifications



BACK



FRONT

### Features



Lithium  
Battery  
(Rechargeable)



Low Power  
Warning  
(Micro USB  
backup power)



Digital Door  
View



Anti Peeping  
Code



Unlock  
History



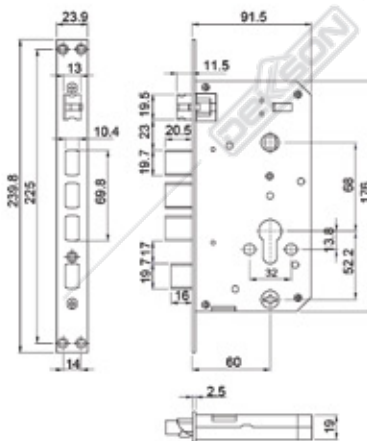
Doorbell



Auto & Manual  
Locking System



1 year  
ELECTRICAL  
WARRANTY



STAINLESS  
STEEL  
SUS 304





Auto & Manual Locking System



Paris, France

London, UK



Electronic Lock



Deon Smart Living

# ELECTRONIC LOCK

## EL D-31



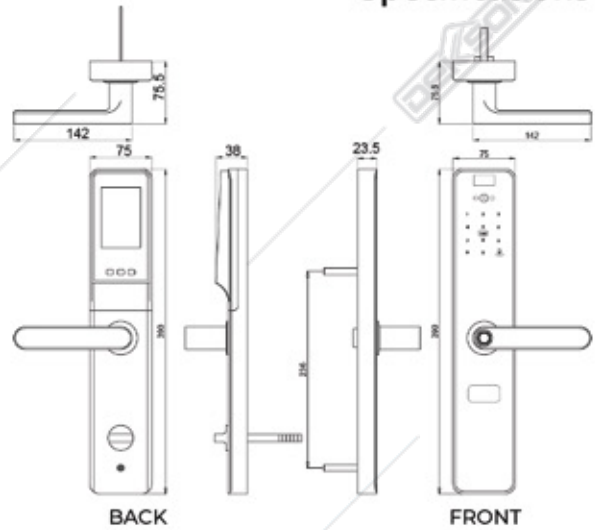
3 Year MECHANICAL WARRANTY




### Access

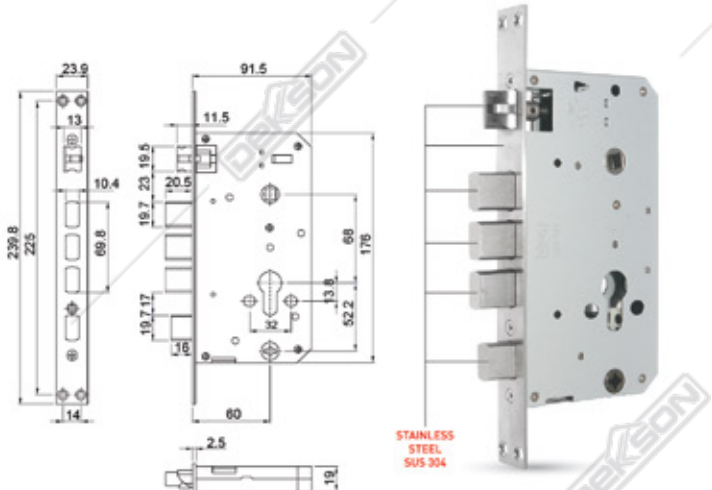
-  FINGERPRINT
-  PASSWORD
-  MIFARE
-  MECHANICAL KEY
-  MOBILE APP  
DEON SMART LIVING (TU YA)  
Available on  


### Specifications



### Features

-  Battery Power  
AA Alkaline  
8 pcs
-  Low Power Warning  
(USB Type C backup power)
-  Digital Door View
-  Anti Peeping Code
-  Unlock History
-  Doorbell
-  1 Year ELECTRICAL WARRANTY



Electronic Lock



3 Year  
MECHANICAL  
WARRANTY

DEKSON<sup>®</sup>  
QUALITY IS THE KEY

# ELECTRONIC LOCK

## ELC 9318 MF PASS BT



W37

### Access



FINGERPRINT



PASSWORD



MIFARE

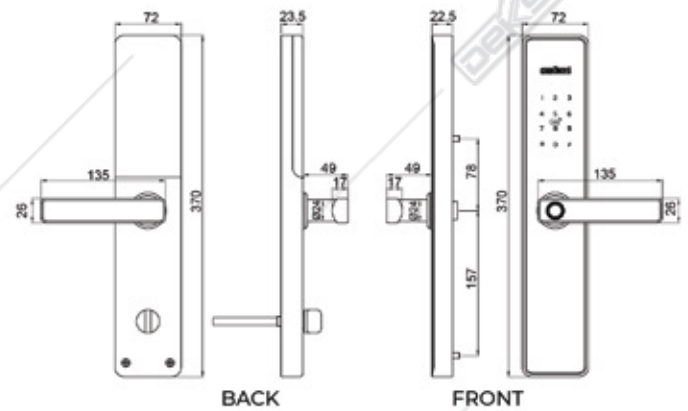


MECHANICAL  
KEY



MOBILE APPS  
(DEON/TUYA  
OR TTLock)

### Specifications



### Features



Battery Power  
AA Alkaline  
4 pcs



Low Power  
Warning  
(Micro USB  
backup power)



Turn up  
handle  
for lock



Anti Peeping  
Code



Unlock  
History



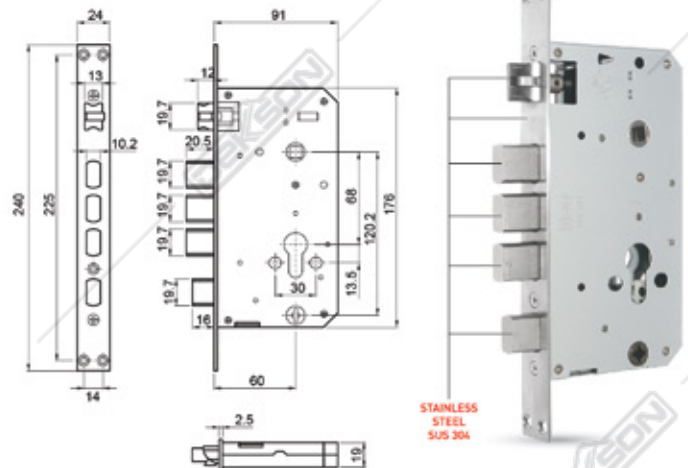
Access  
Sharing



Real Time  
Notification  
Records



1 year  
ELECTRICAL  
WARRANTY



# ELECTRONIC LOCK

## EL 9113 MF FIN PASS



### Access



FINGERPRINT



PASSWORD



MIFARE



MECHANICAL KEY

### Features



Battery Power  
AA Alkaline  
4/8 pcs



Low Power  
Warning  
(Micro USB  
backup power)



Turn up  
handle  
for lock



Anti Peeping  
Code



Always Open



Voice Direction

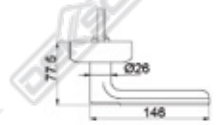
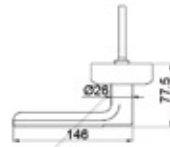


Doorbell



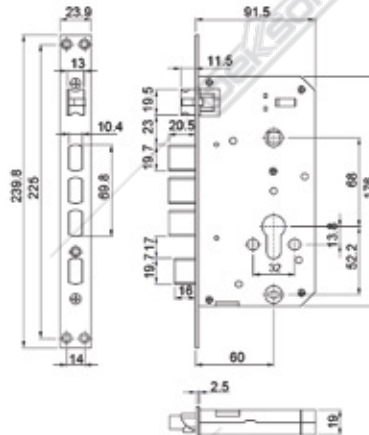
1 year  
ELECTRICAL  
WARRANTY

### Specifications



BACK

FRONT



STAINLESS  
STEEL  
SUS 304



Electronic Lock



3 YEAR MECHANICAL WARRANTY

DEKSON

# ELECTRONIC LOCK

## EL D-22



Available Color : Silver, Black

### Access



FINGERPRINT



PASSWORD



MIFARE



MECHANICAL KEY



MOBILE APP  
DEON SMART LIVING (TUYA)  
Available on  
Android & iOS

### Features



Battery Power  
AAA Alkaline  
4 pcs



Low Power Warning  
(Micro USB  
backup power)



Access Sharing



Anti Peeping Code



Unlock History

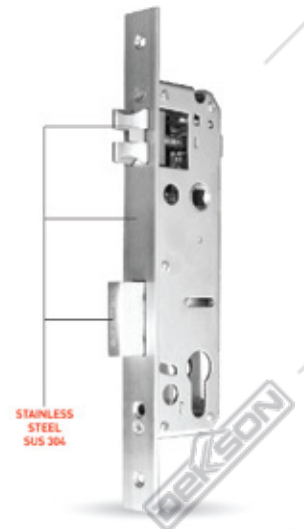
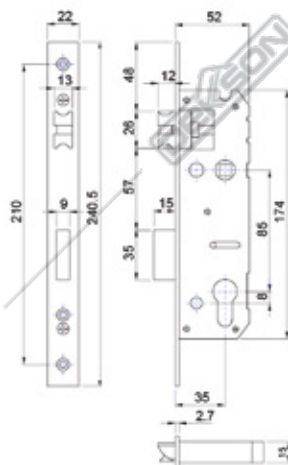
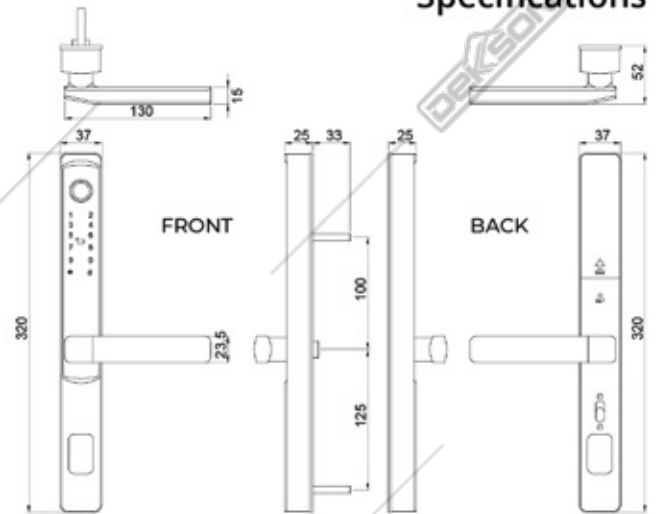


Turn Up Handle  
for Lock



1 year  
ELECTRICAL  
WARRANTY

### Specifications





# ELECTRONIC LOCK

## ELC 9318 MF PASS BT



Available color : Chrome Silver, Chrome Black  
Material : Stainless Steel SUS 304

3 Year MECHANICAL WARRANTY



A27

### Access



FINGERPRINT



PASSWORD



MIFARE

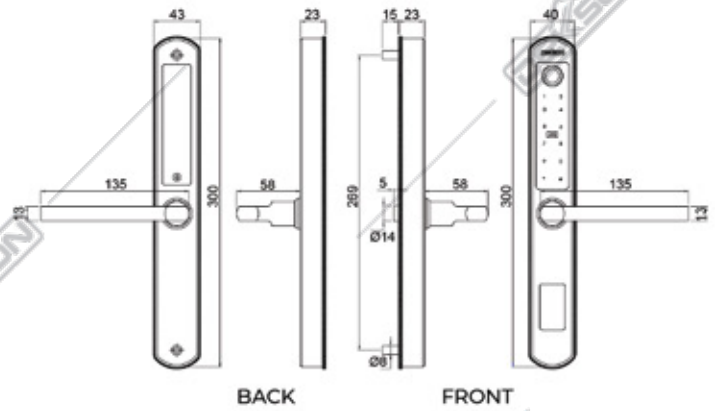


MECHANICAL KEY



TTLock  
Available on  
iOS & Android

### Specifications



### Features



Battery Power  
AAA Alkaline  
4 pcs



Low Power Warning  
(Micro USB  
backup power)



Turn up  
handle  
for lock



Unlock  
History



Real Time  
Notification  
Records



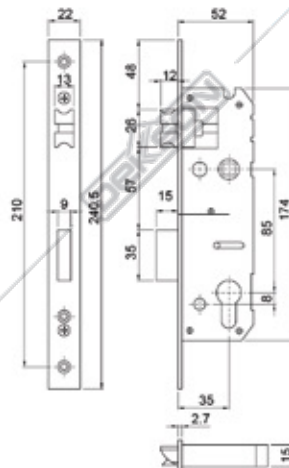
Access Sharing



Anti Peeping  
Code



1 year  
ELECTRICAL  
WARRANTY



STAINLESS  
STEEL  
SUS 304



**3** YEAR  
MECHANICAL  
WARRANTY

**DEKSON**  
QUALITY IS THE KEY



# ELECTRONIC LOCK

## EL D-21



### Access



FINGERPRINT



PASSWORD



MIFARE



MECHANICAL  
KEY



MOBILE APP  
DEON (TU YA)  
Available on:  
📱 🍏

### Features



Battery Power  
AA Alkaline  
4 pcs



Low Power  
Warning  
(USB Type C  
backup power)



Mobile Phone  
Lock System



Anti Peeping  
Code



Unlock  
History



Access Sharing

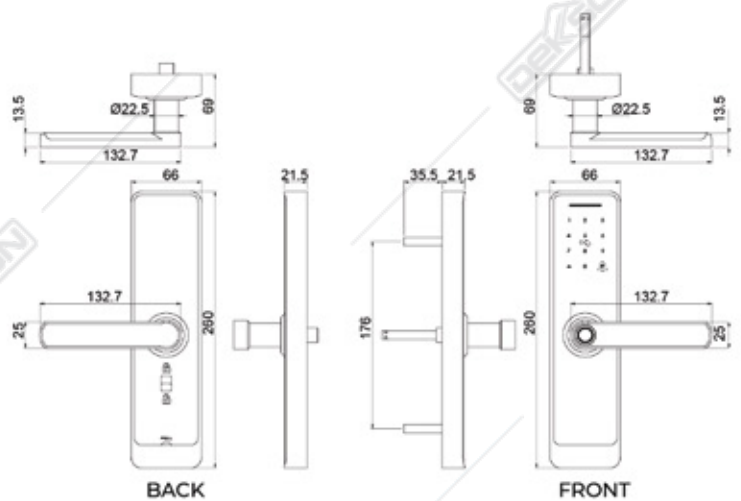


Turn up handle  
for lock



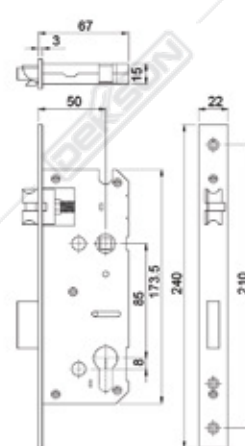
1 year  
ELECTRICAL  
WARRANTY

### Specifications



BACK

FRONT



STAINLESS  
STEEL  
SUS 304



# ELECTRONIC LOCK

## ELC 9318 MF PASS BT



W17

### Access



FINGERPRINT



PASSWORD



MIFARE

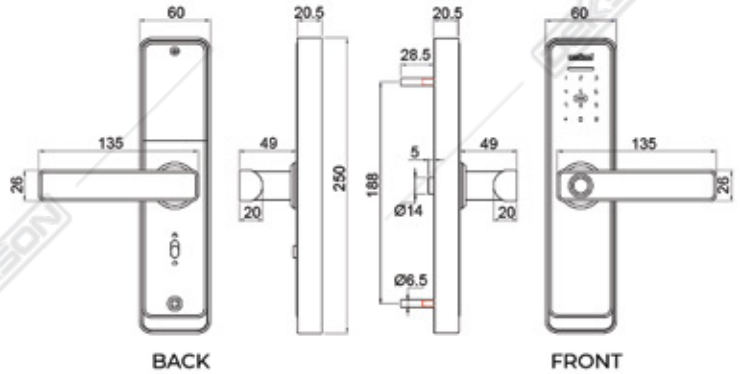


MECHANICAL KEY



MOBILE APPS  
(DEON/TUYA  
OR TTLock)

### Specifications



### Features



Battery Power  
AAA Alkaline  
4 pcs



Low Power Warning  
(Micro USB  
backup power)



Turn up handle  
for lock



Unlock  
History



Real Time  
Notification  
Records



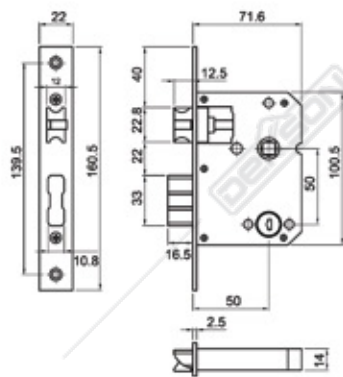
Access Sharing



Anti Peeping  
Code



1 year  
ELECTRICAL  
WARRANTY



STAINLESS  
STEEL  
SUS 304



3 YEAR  
MECHANICAL  
WARRANTY

DEKSON®

# ELECTRONIC LOCK

## ED T-11



### Access



FINGERPRINT



PASSWORD



MIFARE



MECHANICAL  
KEY



TTLock  
Available on  
Android & iOS

### Features



Battery Power  
AA Alkaline  
4 pcs



Low Power Warning  
(Micro USB  
backup power)



Anti Peeping  
Code



Unlock  
History



Auto & Manual  
Locking System

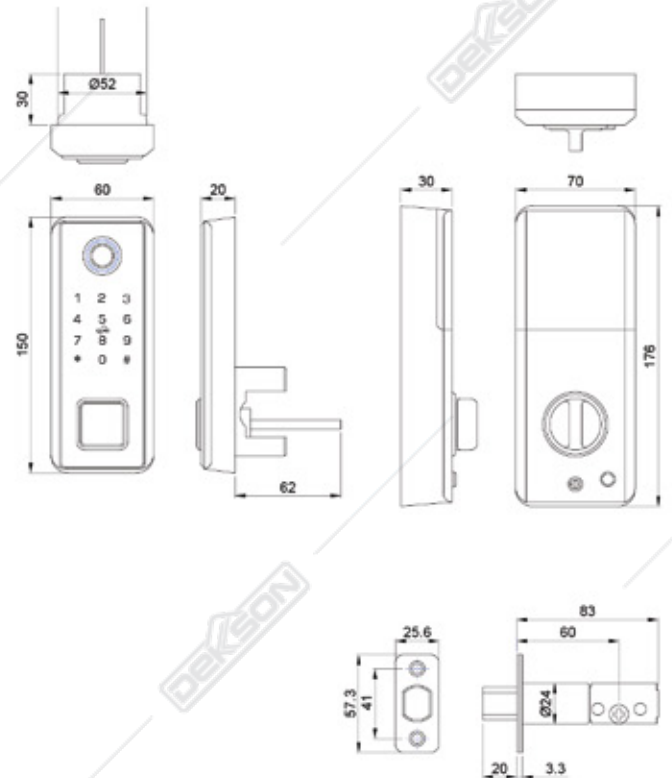


Access Sharing



1 year  
ELECTRICAL  
WARRANTY

### Specifications



# ELECTRONIC LOCK

## ELC 9318 MF PASS BT



Stainless Steel SUS 304



R07

### Access



FINGERPRINT



PASSWORD



MIFARE

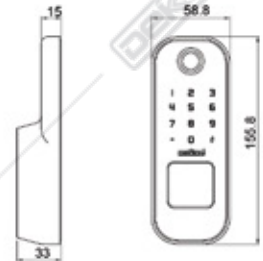


MECHANICAL KEY

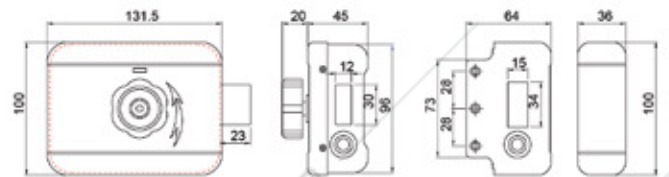


TTLock  
Available on  
Android & iOS

### Specifications



FRONT



BACK

### Features



Battery Power  
AA Alkaline  
4 pcs



Low Power  
Warning  
(Micro USB  
backup power)



Access Sharing



Anti Peeping  
Code



Unlock  
History



Real Time  
Notification  
Records



1 year  
ELECTRICAL  
WARRANTY



**3** YEAR  
MECHANICAL  
WARRANTY

**DEKSON**  
QUALITY IS THE KEY

# ELECTRONIC LOCK

## ELC 9318 MF PASS BT



Available color : Silver, Black

**R37**

### Access



FINGERPRINT



PASSWORD



MIFARE



MECHANICAL  
KEY



TTLock  
Available on  
Android & iOS

### Features



Battery Power  
AA Alkaline  
4 pcs



Low Power  
Warning  
(Micro USB  
backup power)



Access Sharing



Anti Peeping  
Code



Unlock  
History

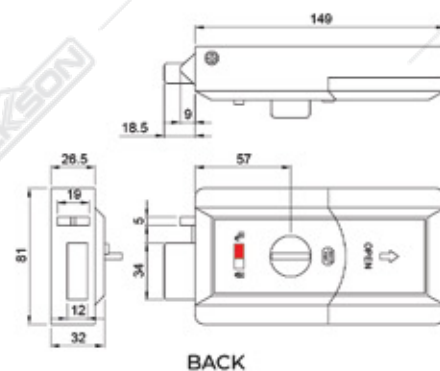
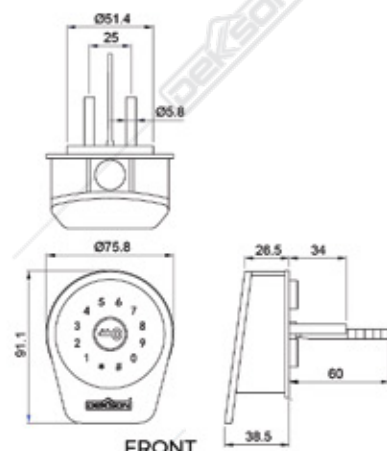


Real Time  
Notification  
Records



1 year  
ELECTRICAL  
WARRANTY

### Specifications





# ELECTRONIC LOCK

## EL D-12



Available Color : Silver, Black



### Access



FINGERPRINT

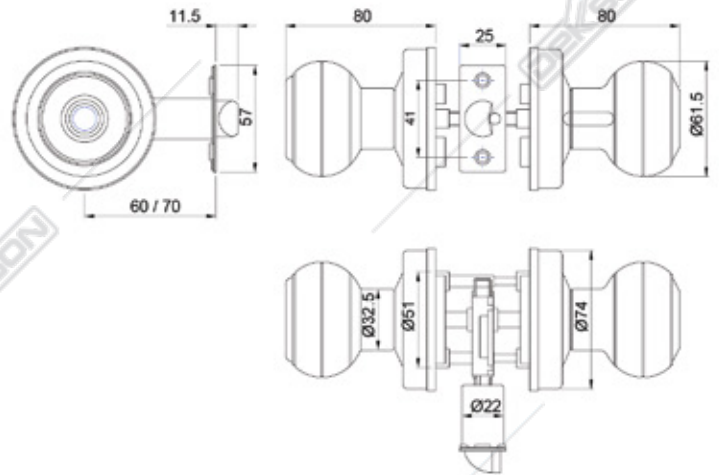


MECHANICAL  
KEY



MOBILE APPS  
DEON/TUYA  
Available on  
App Store / Google Play

### Specifications



### Features



Battery Power  
AAA Alkaline  
4 pcs



Low Power  
Warning  
(USB Type C  
backup power)



Unlock  
History



1 year  
ELECTRICAL  
WARRANTY



3 year MECHANICAL WARRANTY

DEKSON<sup>®</sup>  
QUALITY IS THE KEY

# ELECTRONIC LOCK

## ELC 9318 MF PASS BT



W03

### Access



FINGERPRINT



PASSWORD



MECHANICAL KEY



TTLock  
Available on  
iOS & Android

### Features



Battery Power  
AAA Alkaline  
4 pcs



Low Power Warning  
(USB Type C  
backup power)



Turn up  
handle for lock



Unlock  
History



Real Time  
Notification  
Records



Access Sharing

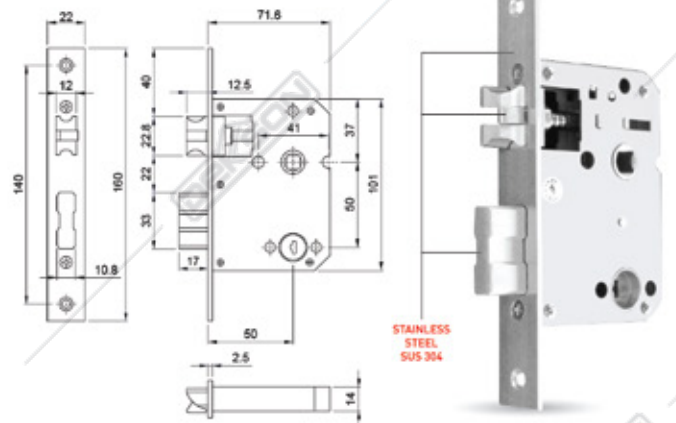
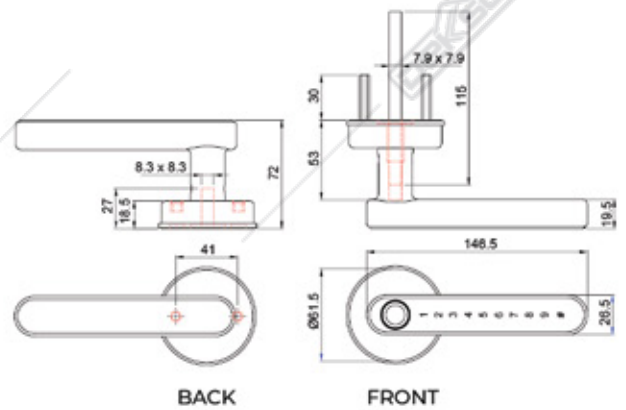


Anti Peeping  
Code



1 year  
ELECTRICAL  
WARRANTY

### Specifications





# ELECTRONIC LOCK

## EC-D01



Available : 70mm & 80mm  
Available Color : Black & Silver



### Access



FINGERPRINT



MIFARE



MECHANICAL KEY



MOBILE APP  
DEON (TU YA)  
Available on  
App Store & Google Play

### Features



Battery Power  
cr123a



Low Power  
Warning (USB Type C  
backup power)



Turn Up Knob  
For Lock



Unlock  
History

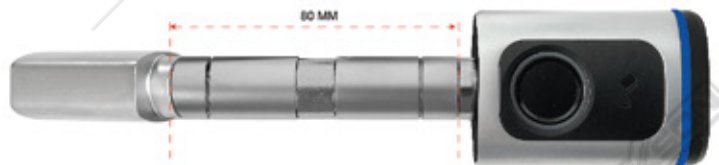
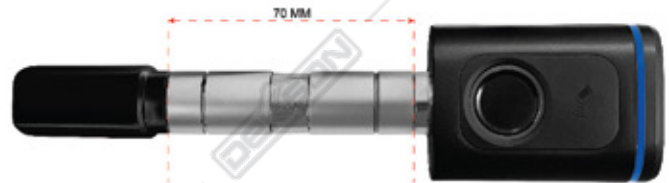
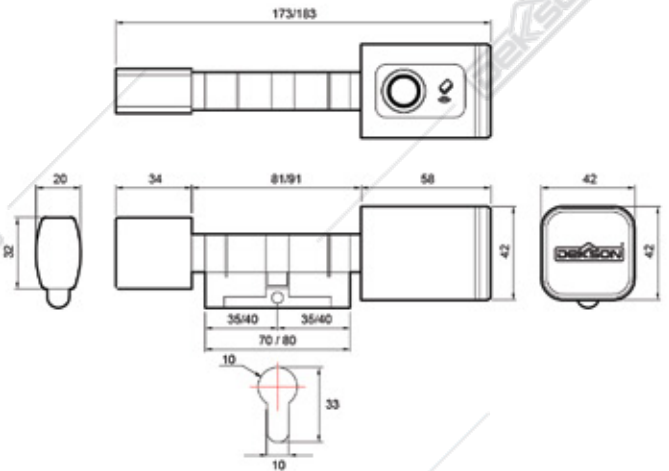


Access Sharing

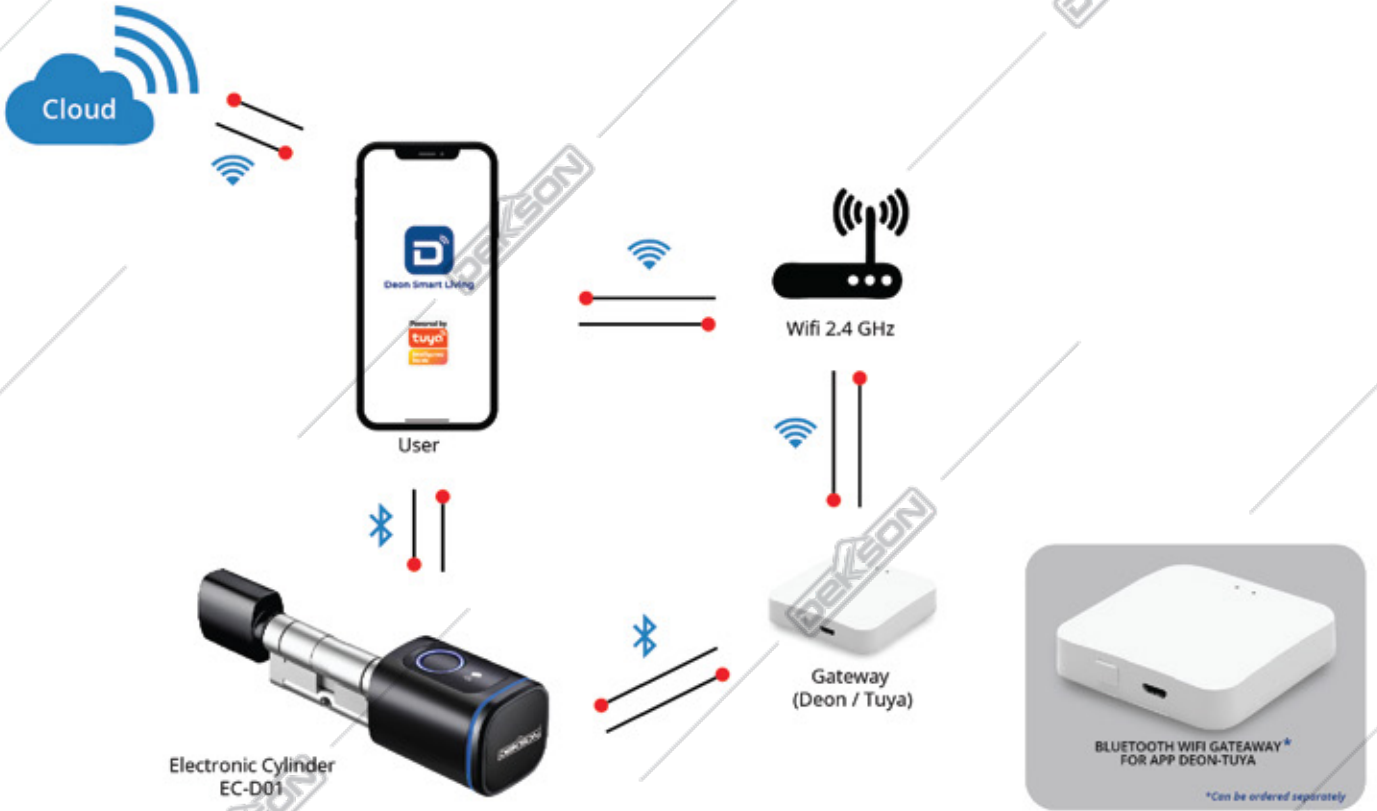


1 year  
ELECTRICAL  
WARRANTY

### Specifications



ACCESS CONTROL EC-D01





# SMART GLASS DOOR LOCK

## G01



### Access



FINGERPRINT



PASSWORD



MIFARE



MECHANICAL KEY

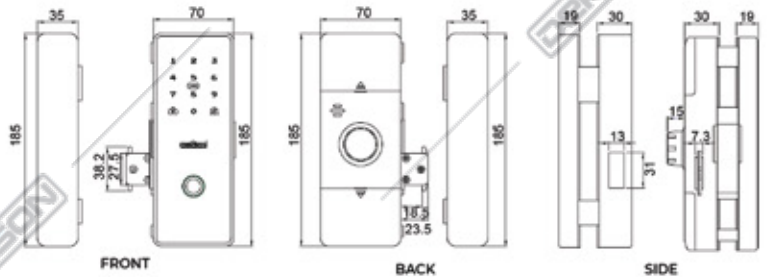


MOBILE APP  
DEON (TUYA)  
Available on  
App Store & Google Play



REMOTE CONTROL

### Specifications



### Features



Battery Power  
AA Alkaline  
4 pcs



Door Bell



Anti Peeping Code



Voice Direction



Auto & Manual Locking System



Low Power Warning  
(Micro USB backup power)

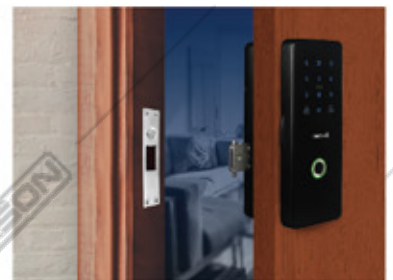


1 year  
ELECTRICAL WARRANTY

### SUITABLE for :



ALUMINIUM DOOR

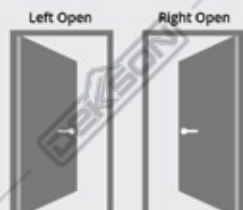


WOODEN DOOR

### DOOR SYSTEM :



SLIDING DOOR



SWING DOOR



GLASS DOOR



NO NEED TO DRILL GLASS  
Easy to install and using extra strong adhesive tape.

### CONVENIENCE AT YOUR HAND

Unlock from up to 10 meters using remote control (Sold Separately)



Electronic Lock

**3 YEAR**  
MECHANICAL  
WARRANTY



 3D FACE  
RECOGNITION

**DEKSON**  
QUALITY IS THE KEY

# ELECTRONIC LOCK

**ELC 9318**  
MF PASS BT



**NEW**  
PRODUCT

**RF09**

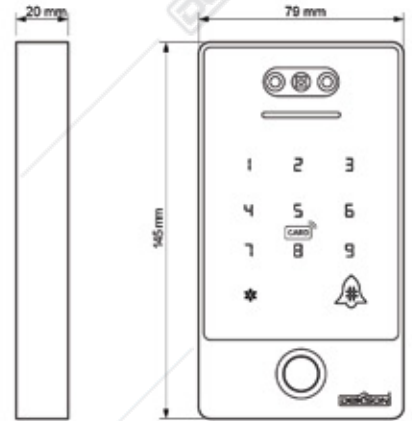
## Access



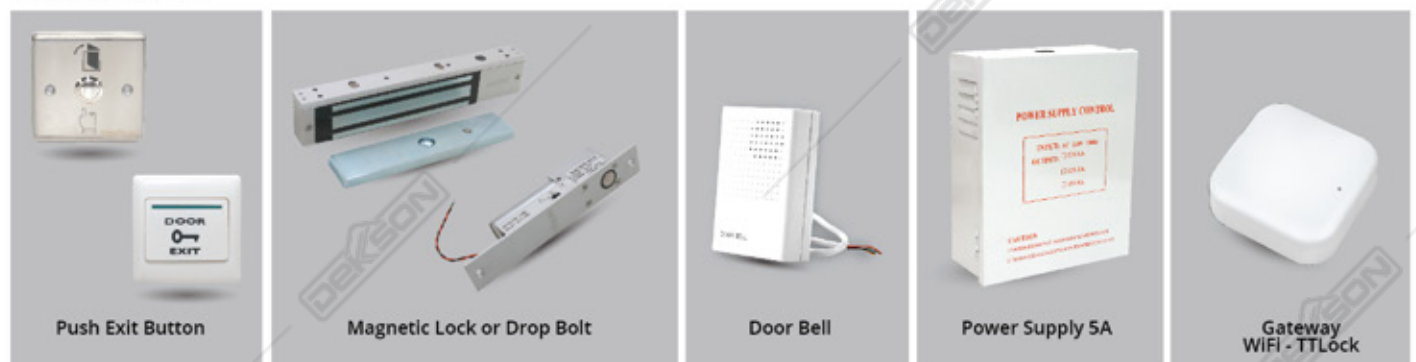
## Features



## Specifications



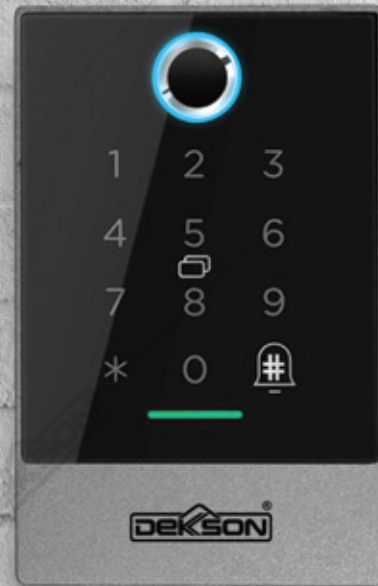
## ACCESSORIES





# ELECTRONIC LOCK

## ELC 9318 MF PASS BT



**RF08**

### Access



FINGERPRINT



PASSWORD



MIFARE



TTLock  
Available on  
iOS & Android

### Features



Power Input  
12v DC



Door Bell



Access Sharing



Anti Peeping  
Code



Unlock  
History



Real Time  
Notification  
Records



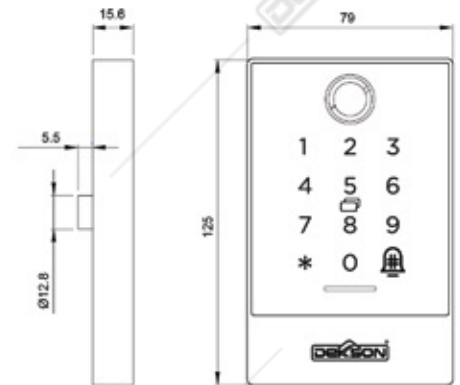
Data Record



Long Range  
Mobile Phone  
Lock System



### Specifications



### ACCESSORIES



Push Exit Button



Magnetic Lock or Drop Bolt



Door Bell



Power Supply 5A



Gateway  
WiFi - TTLock

## FEATURES



Data Record



Send e-Key



### ACCESS SHARING (Password & e-Key)

- **Generate Passcode**  
Generate unique password for guest.
- **Send e-Key**  
Share mobile app access directly to guest's smartphone.



### DATA RECORD

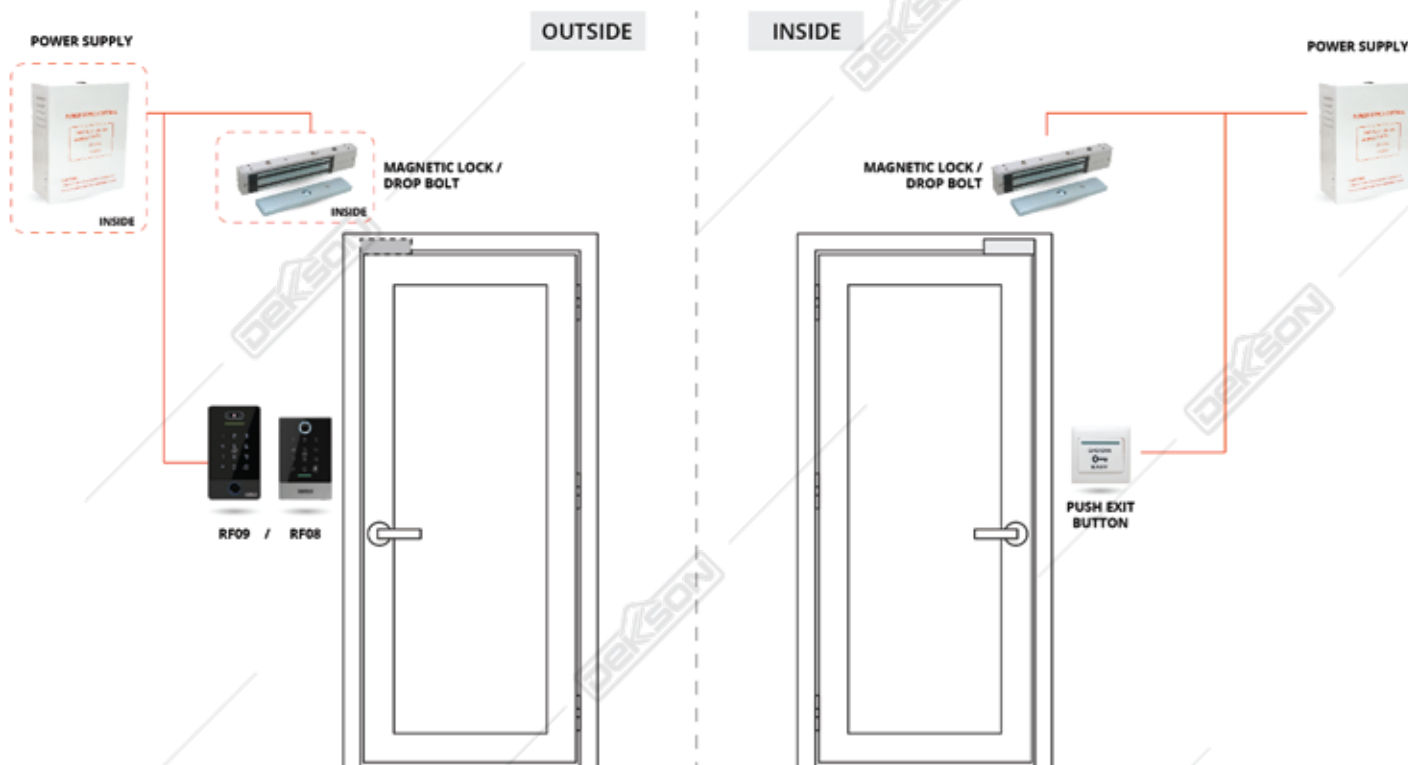
**Access Record**  
All access is recorded by the apps.



### REMOTE ACCESS

- Open lock through smartphone from anywhere on earth.
- Lock setting can be managed remotely, without the need to even touch the lock.

## ACCESS CONTROL SYSTEM



### SUITABLE FOR :



Aluminium / Glass Door



Steel Door



Wooden Door



# CARD LOCK HOTEL

## CLH 2002 MF



### Accessories



**ENCORDER READ / WRITE 2200 MF**  
State of the art auto-card detection technology. Ideal for use with multiple stations



**AUTHORIZED CARD**  
Keycards registered to DEKSON software for Cardlock Hotel setup



**CONTACTLESS CARD 2001 / 2201 MF**  
Durable contact-free Philips Mifare Technology. Also available as plastic key fob, wristwatch or epoxy sticker



**RECORD / INFORMATION CARD 2001 / 2201 MF**  
Upload and download both lock and computer information data easily



**CARD READER ACCESS CONTROL 2001 / 2200 MF**  
Limit the access right of users and increase the security level. Door access can be operated with one card



**SOFTWARE**  
Easy to install. Compatible with Windows 2000 / 2003 / XP Pro / 7 / Vista / 8 / 10



**ES SWITCH 2001 / 2201 MF**  
Energy saving switch all mifare. Compatible for CLH 2000 MF, 2200 MF & 2202 MF

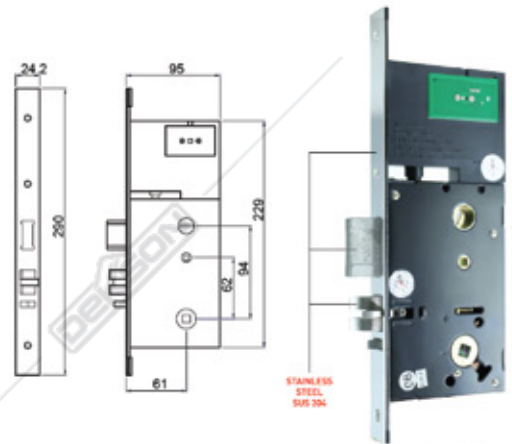
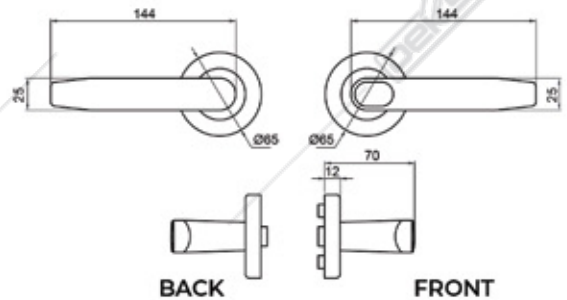


**ES SWITCH 2001 / 2201 MF CORRECT ROOM**



**ELEVATOR READER 2001 / 2201 MF (FOR 16 FLOORS)**  
Mini external reader is available to support lift panel. Allow access card (mifare) to double as elevator access. Same management software with hotel lock. Allow up to 2000 entries record. (Available: For 32, 48, 64 FLOORS)

### Specifications



**3 year**  
MECHANICAL  
WARRANTY

**DEKSON**  
QUALITY IS THE KEY

# CARD LOCK HOTEL

## CLH 2001 MF



Material : Stainless Steel SUS 304

### Accessories



#### ENCORDER MF CARD READ WRITE PRO 2201/2001 MF

State of the art auto-card detection technology. Ideal for use with multiple stations



CONTACTLESS CARD

#### CONTACTLESS CARD 2001 / 2201 MF

Durable contact-free Philips Mifare Technology. Also available as plastic key fob, wristwatch or epoxy sticker



#### CARD READER ACCESS CONTROL 2001 / 2200 MF

Limit the access right of users and increase the security level. Door access can be operated with one card



#### ES SWITCH 2001 / 2201 MF

Energy saving switch all mifare. Compatible for CLH 2000 MF, 2200 MF & 2202 MF



#### ES SWITCH 2001 / 2201 MF CORRECT ROOM



AUTHORIZED CARD

#### AUTHORIZED CARD

Keycards registered to DEKSON software for Cardlock Hotel setup



RECORD / INFORMATION CARD

#### RECORD / INFORMATION CARD 2001 / 2201 MF

Upload and download both lock and computer information data easily



#### SOFTWARE

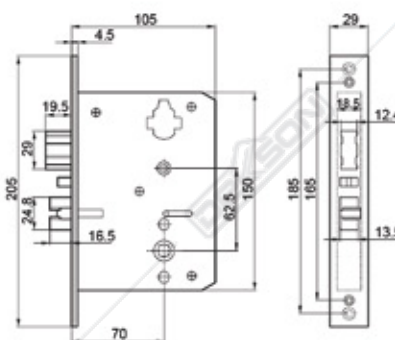
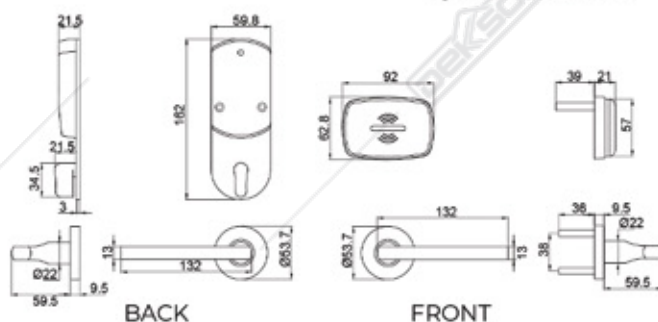
Easy to install. Compatible with Windows 2000 / 2003 / XP Pro / 7 / Vista / 8 / 10



#### ELEVATOR READER 2001 / 2201 MF (FOR 16 FLOORS)

Mini external reader is available to support lift panel. Allow access card (mifare) to double as elevator access. Same management software with hotel lock. Allow up to 2000 entries record. [Available: For 32, 48, 64 FLOORS]

### Specifications



STAINLESS  
STEEL  
SUS 304



1 year  
ELECTRICAL  
WARRANTY



# CARD LOCK HOTEL

## CLH 2202 MF



### Accessories



#### ENCORDER READ / WRITE 2200 MF

State of the art auto-card detection technology. Ideal for use with multiple stations



#### AUTHORIZED CARD

Keycards registered to DEKSON software for Cardlock Hotel setup



#### CONTACTLESS CARD 2001 / 2201 MF

Durable contact-free Philips Mifare Technology. Also available as plastic key fob, wristwatch or epoxy sticker



#### RECORD / INFORMATION CARD 2001 / 2201 MF

Upload and download both lock and computer information data easily



#### CARD READER ACCESS CONTROL 2001 / 2200 MF

Limit the access right of users and increase the security level. Door access can be operated with one card



#### SOFTWARE

Easy to install. Compatible with Windows 2000 / 2003 / XP Pro / 7 / Vista / 8 / 10



#### ES SWITCH 2001 / 2201 MF

Energy saving switch all mifare. Compatible for CLH 2000 MF, 2200 MF & 2202 MF



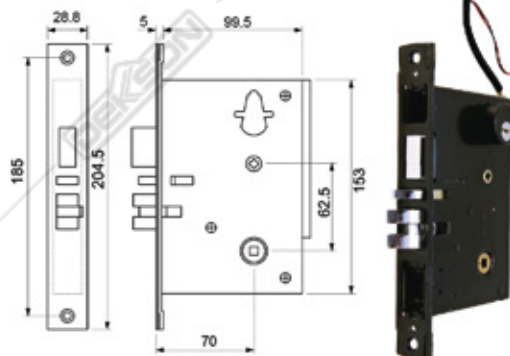
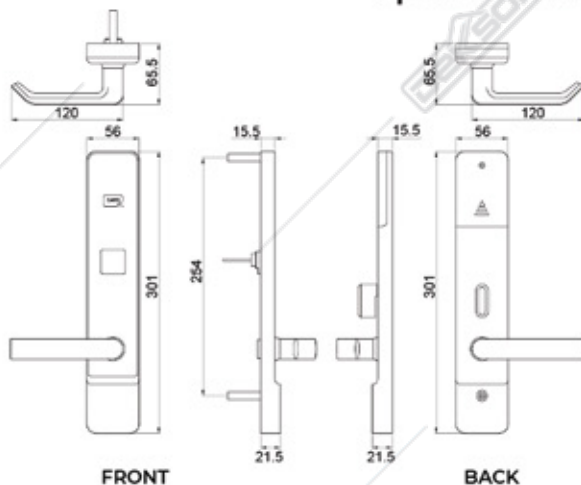
#### ES SWITCH 2001 / 2201 MF CORRECT ROOM



#### ELEVATOR READER 2001 / 2201 MF (FOR 16 FLOORS)

Mini external reader is available to support lift panel. Allow access card (mifare) to double as elevator access. Same management software with hotel lock. Allow up to 2000 entries record. [Available: For 32, 48, 64 FLOORS]

### Specifications



STAINLESS STEEL SUS 304



# CARD LOCK HOTEL

## CLH 2201 MF



STAINLESS STEEL SUS 304

### Accessories



**ENCORDER MF CARD READ WRITE PRO 2201/2001 MF**  
State of the art auto-card detection technology. Ideal for use with multiple stations



**AUTHORIZED CARD**  
Keycards registered to DEKSON software for Cardlock Hotel setup



**CONTACTLESS CARD 2001 / 2201 MF**  
Durable contact-free Philips Mifare Technology. Also available as plastic key fob, wristwatch or epoxy sticker



**RECORD / INFORMATION CARD 2001 / 2201 MF**  
Upload and download both lock and computer information data easily



**CARD READER ACCESS CONTROL 2001 / 2200 MF**  
Limit the access right of users and increase the security level. Door access can be operated with one card



**SOFTWARE**  
Easy to install. Compatible with Windows 2000 / 2003 / XP Pro / 7 / Vista / 8 / 10



**ES SWITCH 2001 / 2201 MF**  
Energy saving switch all mifare. Compatible for CLH 2000 MF, 2200 MF & 2202 MF



**ES SWITCH 2001 / 2201 MF CORRECT ROOM**



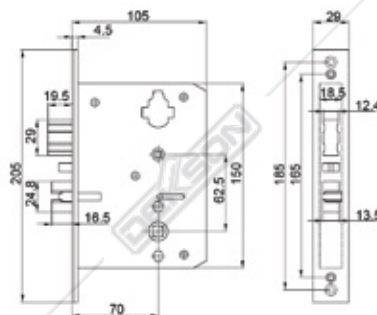
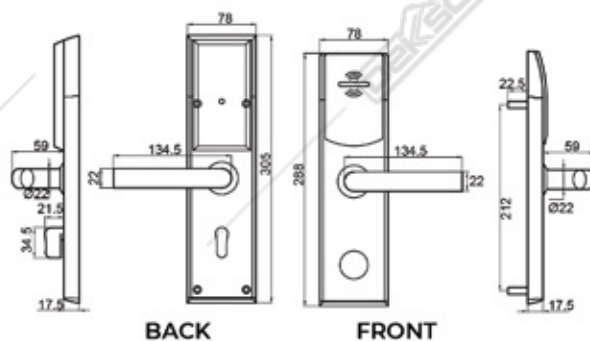
**ELEVATOR READER 2001 / 2201 MF (FOR 16 FLOORS)**  
Mini external reader is available to support lift panel. Allow access card (mifare) to double as elevator access. Same management software with hotel lock. Allow up to 2000 entries record. [Available: For 32, 48, 64 FLOORS]



STAINLESS STEEL SUS 304

STAINLESS STEEL SUS 304

STAINLESS STEEL SUS 304





# OTHER ACCESSORIES



**ES SWITCH 808 NEW**  
For all card type.  
RFID / NON RFID



**ES SWITCH 809 NEW**  
For all proximity card.  
RFID 125 KHZ



**ES SWITCH 2201 / 2001 MF**  
For all mifare card 13,56 MHz



**ES SWITCH 2201 / 2001 MF  
CORRECT ROOM**  
For all mifare card 13,56 MHz  
Available color : White



**OPEN DOOR SWITCH**



**POWER SUPPLY  
DC 12V 3A NO/NC**



**DB 3 IN 1**  
Door Bell Switch  
with "Don't Disturb & Make Up Room"



**POWER SUPPLY 5A**

## CABINET LOCK

**NEW  
PRODUCT**



**Electronic Drawer Lock  
EDL 03**



**Electronic Cabinet Lock  
ECL 808 MF CP**



**Electronic Cabinet Lock  
ECL 838 MF CP**



**WRISTBAND MF  
(Optional)**



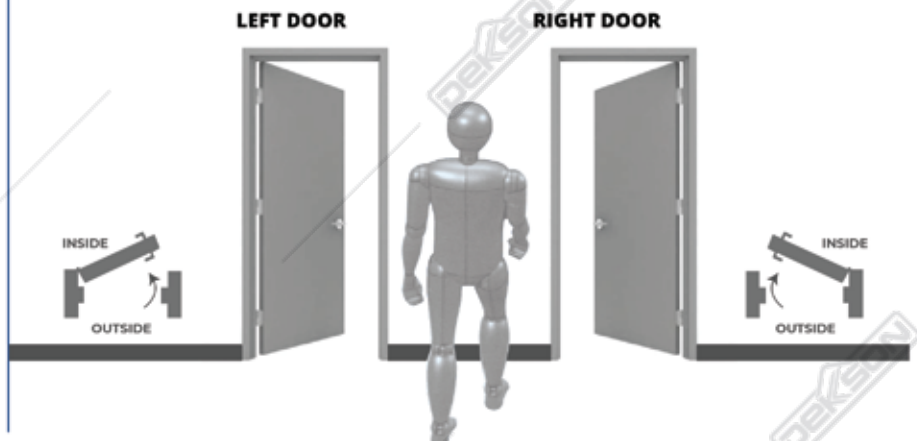
**CONTACTLESS  
CARD MF**

## SAFETY BOX SB 420



- DIMENSION :**  
420 (L)x 190 (H) x 300 (W)
- FEATURES :**
- LED Display
  - Full Automatic
  - Hidden Password Function
  - Three ways to open :
    - 1) User password (3-6 digits)
    - 2) Hotel Master Password
    - 3) Unlock via Key

## ELECTRONIC LOCK DOOR SWING DIRECTION



# PROJECT REFERENCES



**HOTEL ASTON, BATAM**



**CLUSTER MOZART - SYMPHONIA SUMMARECON SERPONG**



**QUBIKA BOUTIQUE HOTEL - BSD TANGERANG**

*and many other project references*



**ASYA - ASTRA MODERN LAND - JAKARTA GARDEN CITY**



**HOTEL YELLO, JAKARTA**



**CLUSTER FLORA - SUMMARECON BANDUNG**





AVAILABLE AT :

