



THE NEW GENERATION

ELECTRONIC LOCK

THE NEW MODERN LIFESTYLE



Digitalization is a part of modern life. The latest technology has allowed accessory for door and window to be smarter, more practical, and more secure. Dekkson as one the leading architectural hardware brand in Indonesia offer a range of electronic locks with highly dependable quality.

There's two type of electronic lock, Cardlock Hotel, an electronic lock with integrated support system for hotel use; and Stand Alone Electronic Lock, easy to install and easy to use variant of electronic lock that are suitable for homes and apartments.

So, do not hesitate to use Dekkson Electronic Lock. Welcome to the future!

TABLE OF CONTENT



3

Electronic Lock

3	ELP 9419 MF FIN PASS DV
5	EL 9318 MF PASS BT W03
6	EL 9318 MF PASS BT W17
7	EL 9318 MF PASS BT W37
8	EL 9318 MF PASS BT R37
9	EL 9318 MF PASS BT R07
10	EL 9318 MF PASS BT RF08
12	EL 9318 MF PASS BT A27
13	EL 9204 MF FIN PASS BT
14	EL 9112 MF FIN PASS
15	SMART GLASS DOOR LOCK G01

17

Card Lock Hotel

17	CLH 2001 MF
18	CLH 2002 MF
19	CLH 2201 MF
20	CLH 2200 MF

21

Other Accessories

21	Energy Saving Switches & Doorbell, Cabinet Lock and Safety Box
----	---

22

Project References

22	Project References
----	--------------------

ELECTRONIC LOCK

ELP 9419 MF FIN PASS DV



Access



FINGERPRINT



PASSWORD



MIFARE

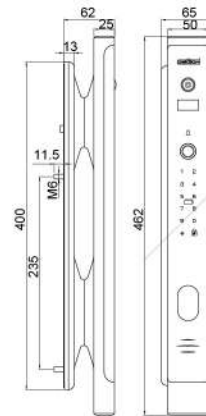


MECHANICAL KEY

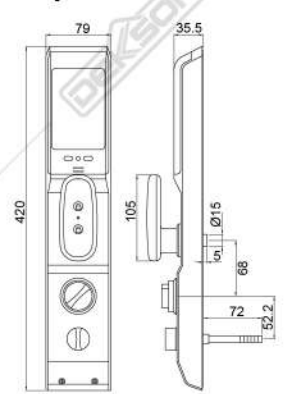


USmart Go
Available on
Android & iOS

Specifications



FRONT



BACK

Features



Lithium Battery
(Rechargeable)



Low Power Warning
(Micro USB backup power)



Digital Door View



Anti Peeping Code



Unlock History



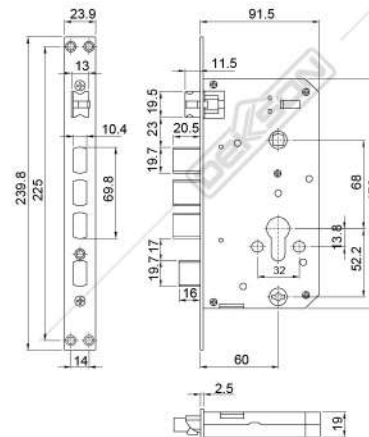
Doorbell



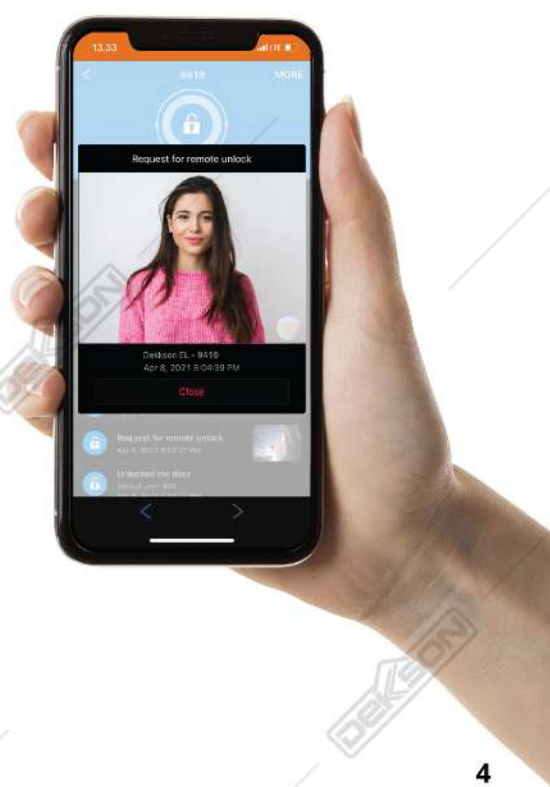
Auto & Manual Locking System



1 year
ELECTRICAL WARRANTY



STAINLESS STEEL
SUS 304



ELECTRONIC LOCK

ELC 9318 MF PASS BT



Access



FINGERPRINT
(100)



PASSWORD
(150)



MECHANICAL
KEY



TTLock
Available on:
Android
iOS

Features



Battery Power
AAA Alkaline
4 pcs



Low Power Warning
(Micro USB
backup power)



Turn up
handle for
lock



Unlock
History



Long Range
Mobile Phone
Lock System



Access Sharing



Anti Peeping
Code

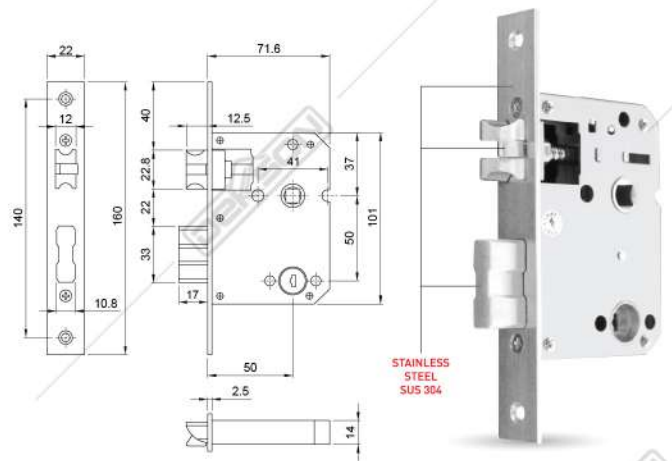
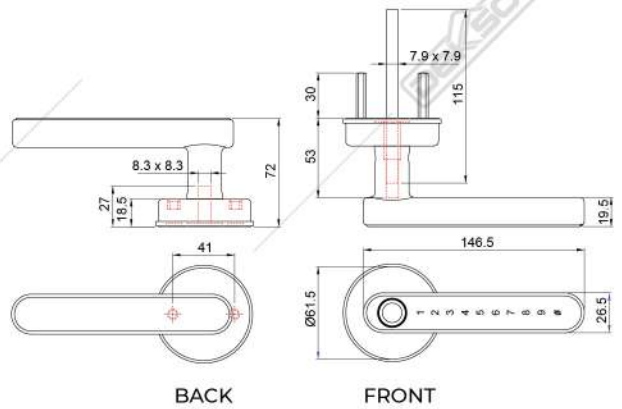


Real Time
Notification
Records



1 year
ELECTRICAL
WARRANTY

Specifications



ELECTRONIC LOCK

ELC 9318 MF PASS BT



Access



FINGERPRINT
(100)



PASSWORD
(150)



MIFARE
(200)



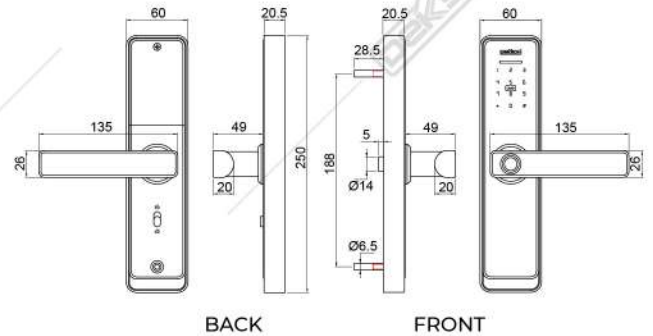
MECHANICAL
KEY



MOBILE APPS
(TUYA OR TLock)



Specifications



Features



Battery Power
AAA Alkaline
4 pcs



Low Power Warning
(Micro USB
backup power)



Turn up
handle
for lock



Unlock
History



Long Range
Mobile Phone
Lock System



Access Sharing



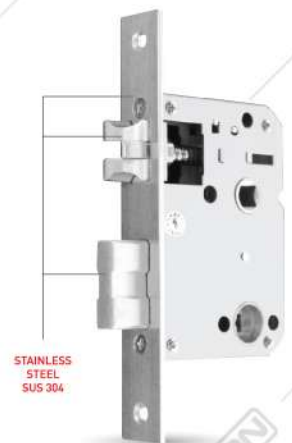
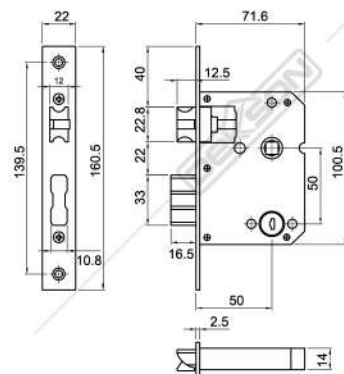
Anti Peeping
Code



Real Time
Notification
Records



1 year
ELECTRICAL
WARRANTY



ELECTRONIC LOCK

ELC 9318 MF PASS BT



Access



FINGERPRINT
(100)



PASSWORD
(150)



MIFARE
(200)

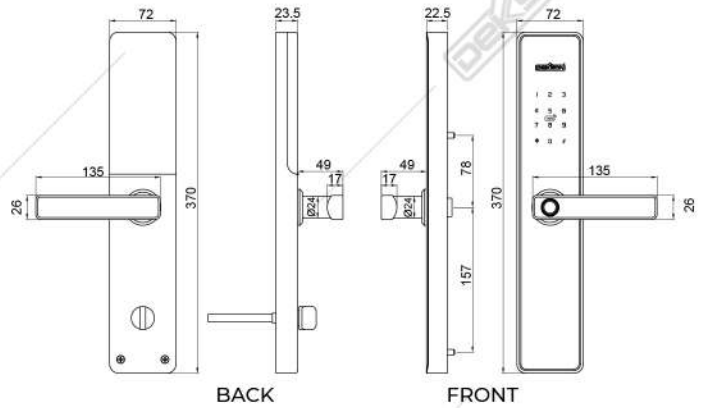


MECHANICAL
KEY



MOBILE APPS
(TUYA OR TLock)

Available on:



Features



Battery Power
AA Alkaline
4 pcs



Low Power
Warning
(Micro USB
backup power)



Turn up
handle
for lock



Anti Peeping
Code



Unlock
History



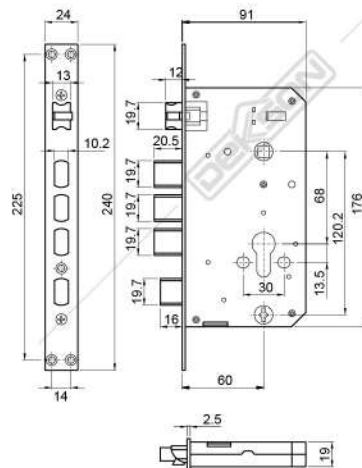
Access
Sharing



Real Time
Notification
Records



1 year
ELECTRICAL
WARRANTY



STAINLESS
STEEL
SUS 304

ELECTRONIC LOCK

ELC 9318 MF PASS BT



R37

Available color : Silver, Black

Access



FINGERPRINT
(100)



PASSWORD
(150)



MIFARE
(200)

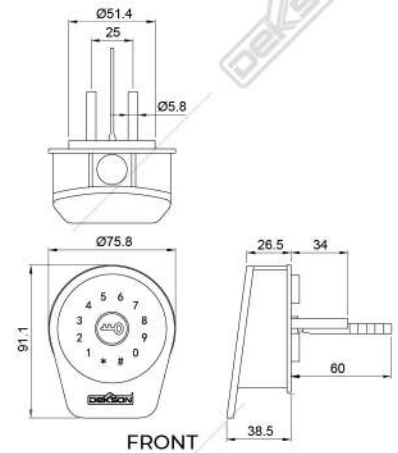


MECHANICAL
KEY



TTLock
Available on
Android & iOS

Specifications



Features



Battery Power
AAA Alkaline
4 pcs



Low Power
Warning
(Micro USB
backup power)



Access Sharing



Anti Peeping
Code



Unlock
History



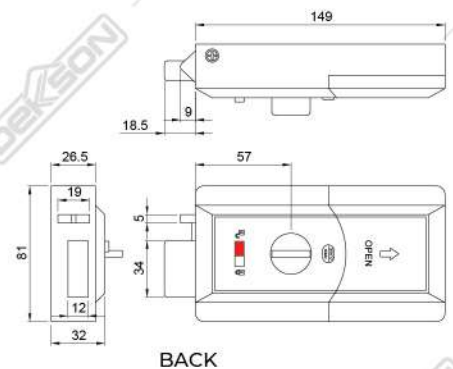
Long Range
Mobile Phone
Lock System



Real Time
Notification
Records



1 year
ELECTRICAL
WARRANTY



ELECTRONIC LOCK

ELC 9318 MF PASS BT



Stainless Steel SUS 304



R07

Access



FINGERPRINT
(100)



PASSWORD
(150)



MIFARE
(200)

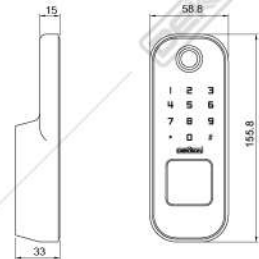


MECHANICAL
KEY

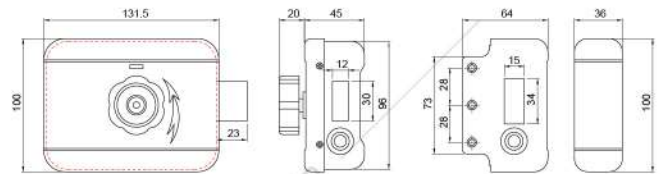


TTLock
Available on
App Store & Google Play

Specifications



FRONT



BACK

Features



Battery Power
AAA Alkaline
4 pcs



Low Power
Warning
(Micro USB
backup power)



Access Sharing



Anti Peeping
Code



Unlock
History



Long Range
Mobile Phone
Lock System



Real Time
Notification
Records



1 year
ELECTRICAL
WARRANTY

ELECTRONIC LOCK

ELC 9318 MF PASS BT



RF08

Access



FINGERPRINT
(100)



PASSWORD
(150)



MIFARE
(200)



TTLock
Available on
Android

Features



Power Input
12v DC



Door Bell



Access Sharing



Anti Peeping
Code



Unlock
History



Long Range
Mobile Phone
Lock System

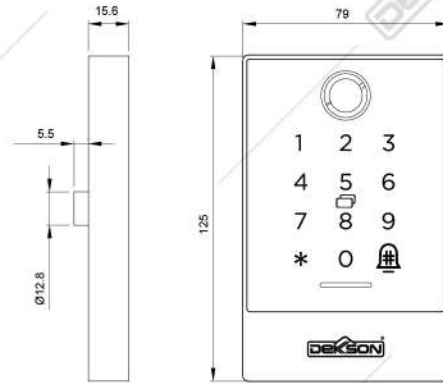


Real Time
Notification
Records



1 year
ELECTRICAL
WARRANTY

Specifications



Accessories



Push Button



Magnetic Lock or Drop Bolt



Door Bell



Power Supply



Gateway

ELECTRONIC LOCK

ELC 9318 MF PASS BT



A27

Available color : Chrome Silver, Chrome Black
Material : Stainless Steel SUS 304

Access



FINGERPRINT
(100)



PASSWORD
(150)



MIFARE
(200)

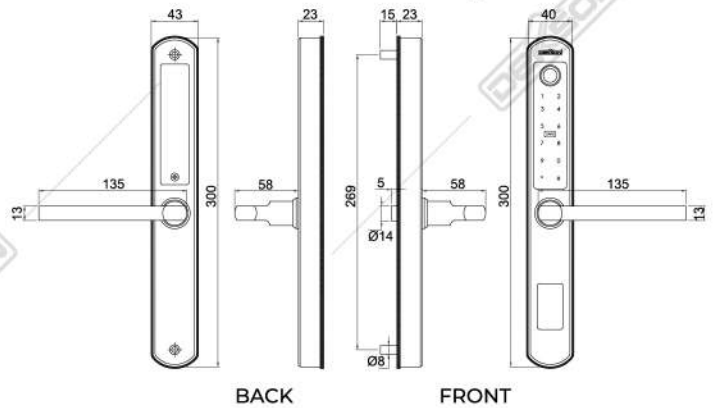


MECHANICAL
KEY



TTLock
Available on:
Android
iOS

Specifications



Features



Battery Power
AAA Alkaline
4 pcs



Low Power Warning
(Micro USB
backup power)



Turn up
handle for
lock



Unlock
History



Long Range
Mobile Phone
Lock System



Access Sharing



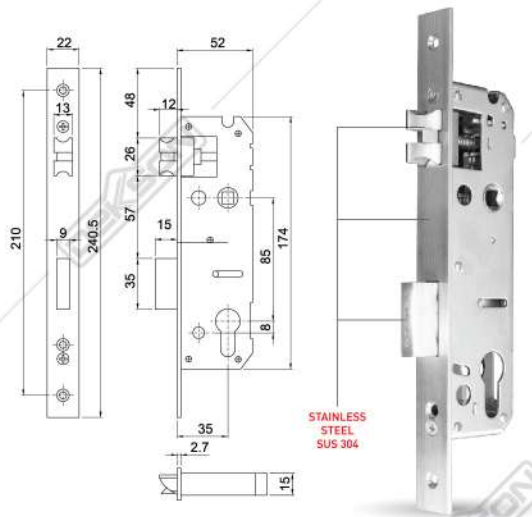
Anti Peeping
Code



Real Time
Notification
Records



1 year
ELECTRICAL
WARRANTY



MOBILE APP TTLOCK

Available on:



FEATURES



Data Record



Send e-Key



ACCESS SHARING (Password & e-Key)

- **Generate Passcode**
Generate unique password for guest.
- **Send e-Key**
Share mobile app access directly to guest's smartphone.



DATA RECORD

Access Record
All access is recorded by the apps.



REMOTE ACCESS

- Open lock through smartphone from anywhere on earth.
- Lock setting can be managed remotely, without the need to even touch the lock.

Requires gateway, wifi router and connected smartphone to allow remote features



ELECTRONIC LOCK

EL 9204 MF FIN PASS BT



Access



FINGERPRINT



PASSWORD



MIFARE



MECHANICAL KEY

Features



Battery Power
AAA Alkaline
4 pcs



Low Power Warning
(Micro USB
backup power)



Turn Up Handle
For Lock



Anti Peeping
Code

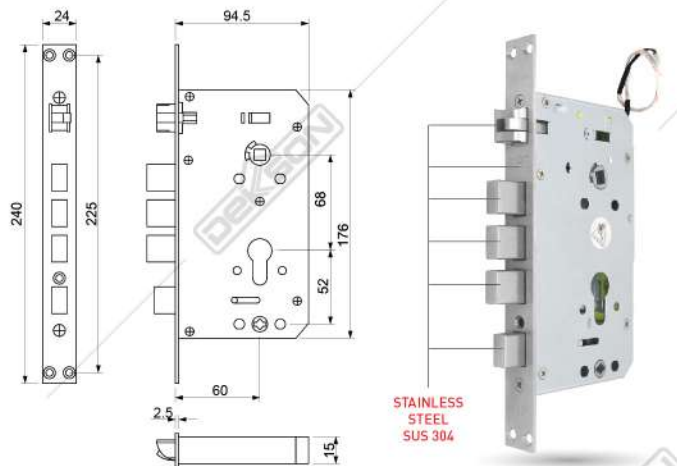
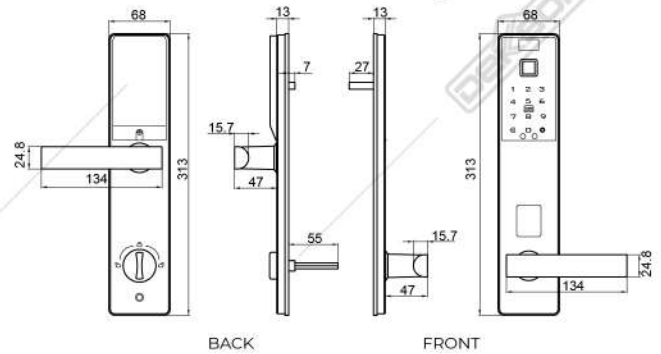


Unlock
History



1 year
ELECTRICAL
WARRANTY

Specifications



ELECTRONIC LOCK

EL 9112 MF FIN PASS



Access



FINGERPRINT



PASSWORD



MIFARE



MECHANICAL KEY

Features



Battery Power
AA Alkaline
4/8 pcs



Low Power Warning
(Micro USB
backup power)



Turn up
handle
for lock



Anti Peeping
Code



Total Users
350



Always Open

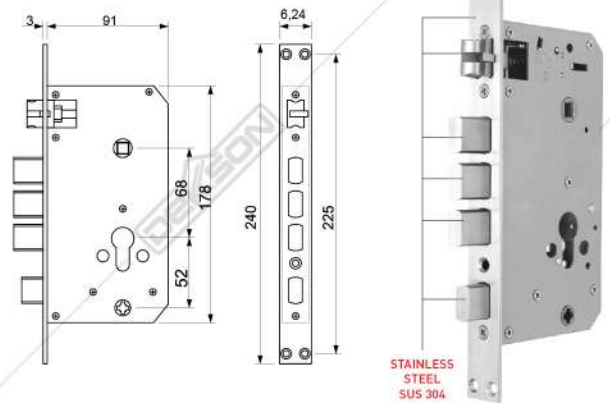
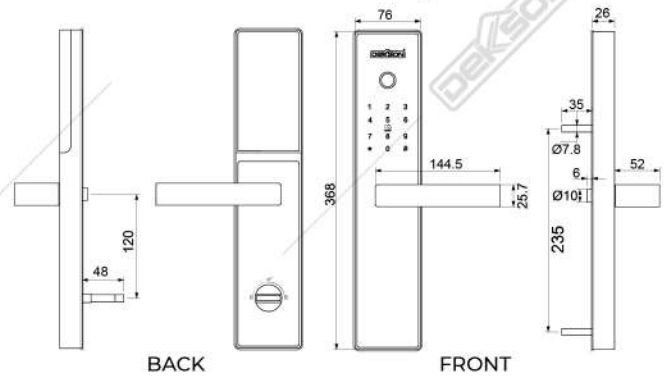


Voice Direction



1 year
ELECTRICAL
WARRANTY

Specifications



SMART GLASS DOOR LOCK

G01



Access



FINGERPRINT



PASSWORD



MIFARE

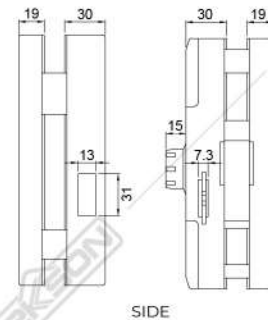
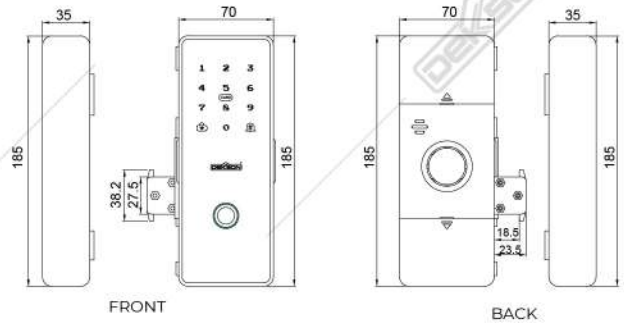


MOBILE APP
Available on:



REMOTE CONTROL

Specifications



Features



Battery Power
AA Alkaline
4 pcs



Door Bell



Anti Peeping
Code



Voice Direction



Auto & Manual
Locking System



Low Power Warning
(Micro USB backup
power)



1 year
ELECTRICAL
WARRANTY

CONVENIENCE AT YOUR HAND

Unlock from up to
10 meters using
remote control
(Sold Separately)



SUITABLE



Aluminium Door



Wooden Door

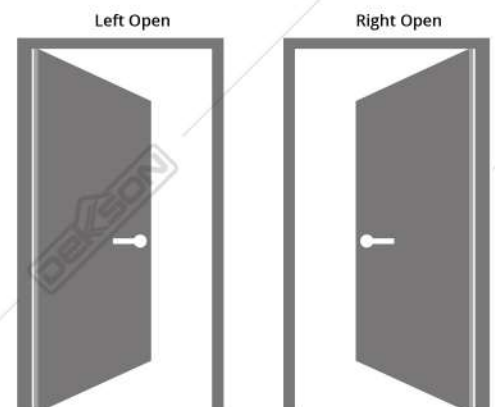


Glass Door

DOOR SYSTEM



Sliding Door



Swing Door

CARD LOCK HOTEL

CLH 2002 MF



Accessories



ENCORDER READ / WRITE 2200 MF

State of the art auto-card detection technology. Ideal for use with multiple stations



AUTHORIZED CARD

Keycards registered to DEKSON software for Cardlock Hotel setup



CONTACTLESS CARD 2001 / 2201 MF

Durable contact-free Philips Mifare Technology. Also available as plastic key fob, wristwatch or epoxy sticker



RECORD / INFORMATION CARD 2001 / 2201 MF

Upload and download both lock and computer information data easily



CARD READER ACCESS CONTROL 2001 / 2200 MF

Limit the access right of users and increase the security level. Door access can be operated with one card



SOFTWARE

Easy to install. Compatible with Windows 2000 / 2003 / XP Pro / 7 / Vista / 8 / 10



ES SWITCH 2001 / 2201 MF

Energy saving switch all mifare. Compatible for CLH 2000 MF, 2200 MF & 2202 MF



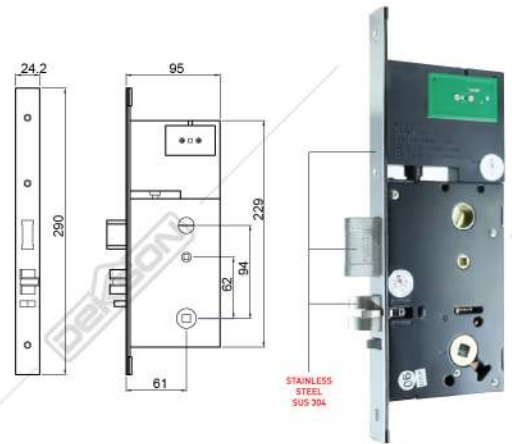
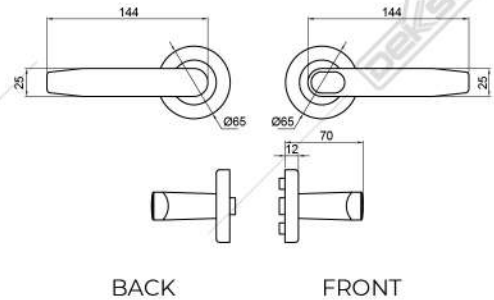
ES SWITCH 2001 / 2201 MF CORRECT ROOM



ELEVATOR READER 2001 / 2201 MF (FOR 16 FLOORS)

Mini external reader is available to support lift panel. Allow access card (mifare) to double as elevator access. Same management software with hotel lock. Allow up to 2000 entries record. [Available: For 32, 48, 64 FLOORS]

Specifications



CARD LOCK HOTEL

CLH 2001 MF



Material : Stainless Steel SUS 304



Accessories



ENCORDER READ / WRITE 2200 MF

State of the art auto-card detection technology. Ideal for use with multiple stations



AUTHORIZED CARD

Keycards registered to DEKSON software for Cardlock Hotel setup



CONTACTLESS CARD

CONTACTLESS CARD 2001 / 2201 MF

Durable contact-free Philips Mifare Technology. Also available as plastic key fob, wristwatch or epoxy sticker



RECORD / INFORMATION CARD

RECORD / INFORMATION CARD 2001 / 2201 MF

Upload and download both lock and computer information data easily



CARD READER ACCESS CONTROL 2001 / 2200 MF

Limit the access right of users and increase the security level. Door access can be operated with one card



SOFTWARE

Easy to install. Compatible with Windows 2000 / 2003 / XP Pro / 7 / Vista / 8 / 10



ES SWITCH 2001 / 2201 MF

Energy saving switch all mifare. Compatible for CLH 2000 MF, 2200 MF & 2202 MF



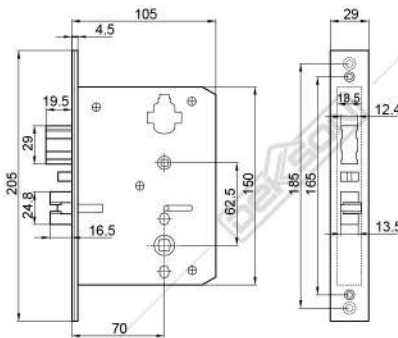
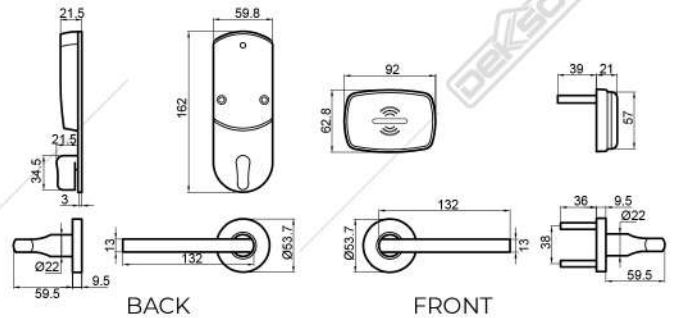
ES SWITCH 2001 / 2201 MF CORRECT ROOM



ELEVATOR READER 2001 / 2201 MF (FOR 16 FLOORS)

Mini external reader is available to support lift panel. Allow access card (mifare) to double as elevator access. Same management software with hotel lock. Allow up to 2000 entries record. [Available: For 32, 48, 64 FLOORS]

Specifications



1 year
ELECTRICAL
WARRANTY

CARD LOCK HOTEL

CLH 2201 MF



STAINLESS STEEL SUS 304



Accessories



ENCORDER READ / WRITE 2200 MF

State of the art auto-card detection technology. Ideal for use with multiple stations



AUTHORIZED CARD

Keycards registered to DEKSON software for Cardlock Hotel setup



CONTACTLESS CARD



RECORD / INFORMATION CARD

CONTACTLESS CARD 2001 / 2201 MF

Durable contact-free Philips Mifare Technology. Also available as plastic key fob, wristwatch or epoxy sticker

RECORD / INFORMATION CARD 2001 / 2201 MF

Upload and download both lock and computer information data easily



CARD READER ACCESS CONTROL 2001 / 2200 MF

Limit the access right of users and increase the security level. Door access can be operated with one card



SOFTWARE

Easy to install. Compatible with Windows 2000 / 2003 / XP Pro / 7 / Vista / 8 / 10



ES SWITCH 2001 / 2201 MF

Energy saving switch all mifare. Compatible for CLH 2000 MF, 2200 MF & 2202 MF



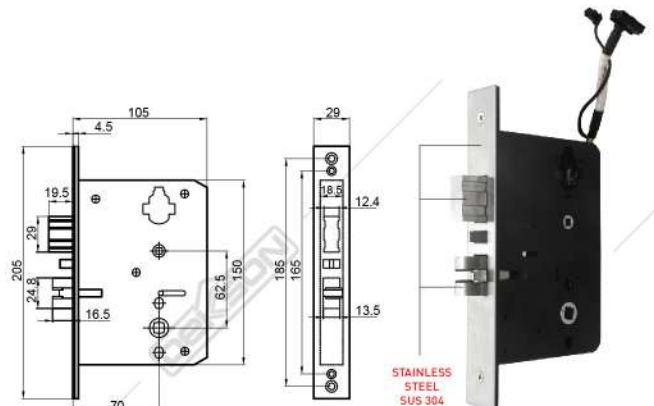
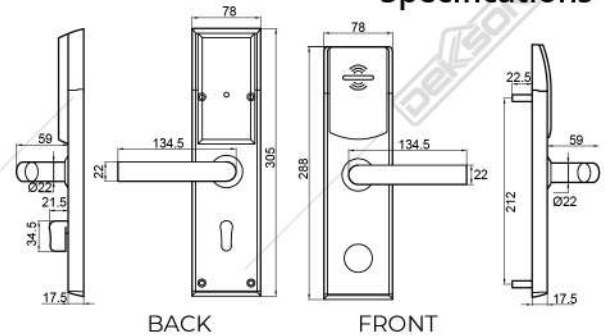
ES SWITCH 2001 / 2201 MF CORRECT ROOM



ELEVATOR READER 2001 / 2201 MF (FOR 16 FLOORS)

Mini external reader is available to support lift panel. Allow access card (mifare) to double as elevator access. Same management software with hotel lock. Allow up to 2000 entries record. [Available: For 32, 48, 64 FLOORS]

Specifications



CARD LOCK HOTEL

CLH 2200 MF



Material : Stainless Steel SUS 304

Accessories



ENCORDER READ / WRITE 2200 MF

State of the art auto-card detection technology. Ideal for use with multiple stations



AUTHORIZED CARD

Keycards registered to DEKSON software for Cardlock Hotel setup



CONTACTLESS CARD 2001 / 2201 MF

Durable contact-free Philips Mifare Technology. Also available as plastic key fob, wristwatch or epoxy sticker



RECORD / INFORMATION CARD 2001 / 2201 MF

Upload and download both lock and computer information data easily



CARD READER ACCESS CONTROL 2001 / 2200 MF

Limit the access right of users and increase the security level. Door access can be operated with one card



SOFTWARE

Easy to install. Compatible with Windows 2000 / 2003 / XP Pro / 7 / Vista / 8 / 10



ES SWITCH 2001 / 2201 MF

Energy saving switch all mifare. Compatible for CLH 2000 MF, 2200 MF & 2202 MF



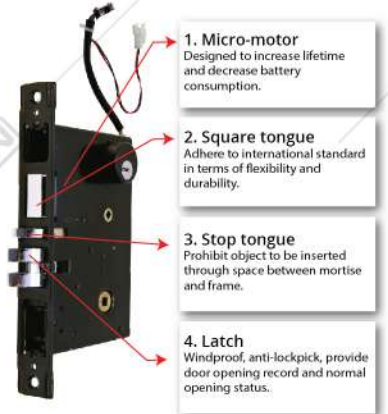
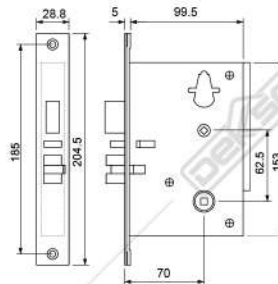
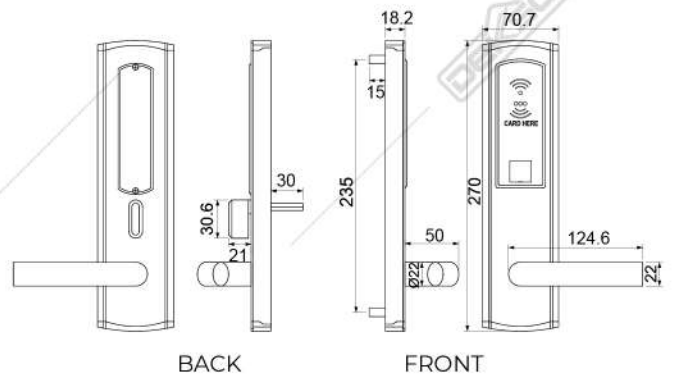
ES SWITCH 2001 / 2201 MF CORRECT ROOM



ELEVATOR READER 2200 MF (FOR 16 FLOORS)

Mini external reader is available to support lift panel. Control elevator access. Same management software with hotel lock. Allow up to 2000 entries record. (Available: For 32, 48, 64 FLOORS)

Specifications



1. **Micro-motor**
Designed to increase lifetime and decrease battery consumption.
2. **Square tongue**
Adhere to international standard in terms of flexibility and durability.
3. **Stop tongue**
Prohibit object to be inserted through space between mortise and frame.
4. **Latch**
Windproof, anti-liepick, provide door opening record and normal opening status.



OTHER ACCESSORIES

ENERGY SAVING SWITCHES & DOORBELL



ES SWITCH 808 NEW
For all card type.
RFID / NON RFID



ES SWITCH 809 NEW
For all proximity card.
RFID 125 KHZ



ES SWITCH 2201 / 2001 MF
For all mifare card 13,56 MHz



ES SWITCH 2201 / 2001 MF CORRECT ROOM
For all mifare card 13,56 MHz
Available color : White



OPEN DOOR SWITCH



POWER SUPPLY DC 12V 3A NO/NC



DB 3 IN 1
Door Bell Switch
with "Don't Disturb & Make Up Room"

CABINET LOCK



Electronic Cabinet Lock ECL 808 MF CP



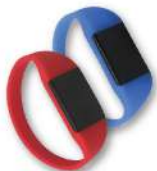
CONTACTLESS CARD MF



Electronic Cabinet Lock ECL 838 MF CP



CONTACTLESS CARD MF



WRISTBAND MF (Optional)

SAFETY BOX

SB 420



DIMENSION :
420 (L)x 225 (H) x 380 (W)

FEATURES :

- Solid safe body, Strong configuration, high strength and high quality steel plate ramming to shape.
- Different level management.
- Convenient to use.
- More safety.

ELECTRONIC LOCK DOOR SWING DIRECTION

LEFT DOOR

RIGHT DOOR



PROJECT REFERENCES



HOTEL ASTON, BATAM



HOTEL GOLDEN TULIP, PONTIANAK



BEST WESTERN CAWANG, JAKARTA



HOTEL GRAND INNA KUTA, BALI



HOTEL YELLO, JAKARTA

VILLA BOGOR	CITRA DREAM BANDUNG	WELL BORN BANDUNG	J ICON HOTEL BALIKPAPAN	SWISS BELLINN BOGOR	GRAND DHARMAHUSADA LAGOON SURABAYA
SAFIRA MAGELANG	CITRA DREAM BINTARO	WINTON HOTEL LHOKEUMAWA	GRAND PRABA LAMPUNG	CORDELA INN SIDOARJO	PADMASARI RESORT HOTEL BALI
MAXLEY JAKARTA	CITRA DREAM YOGYAKARTA	AMAZING HOTEL LUBUK LINGGAU	HOTEL KUMALA ACEH	QUBICA HOTEL SERPONG	SINGAPORE LAND MEDAN
HAPPY - IN JAKARTA	DARAJAT PASS GARUT	SAKURA HOTEL SINTANG	KIMURA KOSTAY SEMARANG	THE SATO HOTEL KUDUS	HOTEL LAMPION SOLO
CORSICA BANDUNG	BONG HOSTEL BALI	HIP HOPE HOTEL ACEH	SOCIALITE KOST BANDUNG	TERASKITA HOTEL MAKASSAR	HOTEL TRIO MAKASSAR
AMORIS PURWOKERTO	MEGA KOSTEL PALEMBANG	EMERALD HOTEL PANGANDARAN	FAJAR ROON HOTEL MANOKWARI	LABERSA TOBA HOTEL MEDAN	JKOSTEL PALEMBANG
VOX STAY KARAWANG	BLUE ORCHID PANGANDARAN	HOTEL KARMILA BANDUNG	HOTEL RED ORDCHID	KUTA LAGOON RESORT BALI	MONGONSIDI HOTEL PADANG
PRIMA - IN YOGYAKARTA	INAN G. HOUSE MALANG	THE PACKER LODGE JAKARTA	TOPAZ GALERIA HOTEL BANDUNG	FOURTEEN ROSES HOTEL BALI	TAMANSARI ISWARA BEKASI
IGLOO HOTEL CIBITUNG	TULIP G. HOUSE BANDUNG	THE PACKER LODGE YOGYAKARTA	HOTEL U STAY TEBET JAKARTA	APARTMENT CARSTENSZ TANGERANG	TAMANSARI AMARTA YOGYAKARTA
JULIA HOTEL JEPARA	BSI KAMPUS E3 CIBITUNG	BSI HOTEL KALIJALANG - JAKARTA	WISMA ATLET MANDALA JAYAPURA	BEEHIVE BOUTIQUE HOTEL BANDUNG	TAMANSARI CENDEKIA SEMARANG
THE COAST BALIKPAPAN	BSI KAMPUS E4 CIKARANG	BSI HOTEL RAWAMANGUN - JAKARTA	HOTEL NEW D D'HAVE PADANG	HARRIS SUITE PURI MANSION JAKARTA	HOTEL LEMBANG ASRI BANDUNG
CORDELA INN SIDOARJO	KUMALA HOTEL ACEH	MALIOBORO PRIME YOGYAKARTA	GREEN HERO DARAJAT GARUT	PESONA ALAM CISARUA HOTEL BOGOR	MANADO CONVENTION CENTER HOTEL MANADO



www.dekson.com

SCAN HERE



AVAILABLE AT:

